

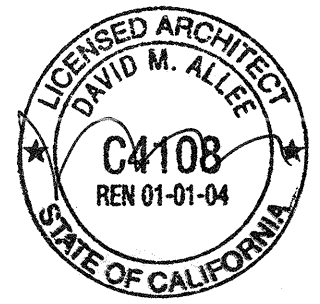
WEDGCOR STEEL BENT FRAME
 CONCRETE SLAB

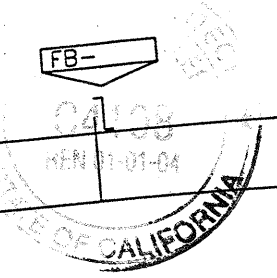
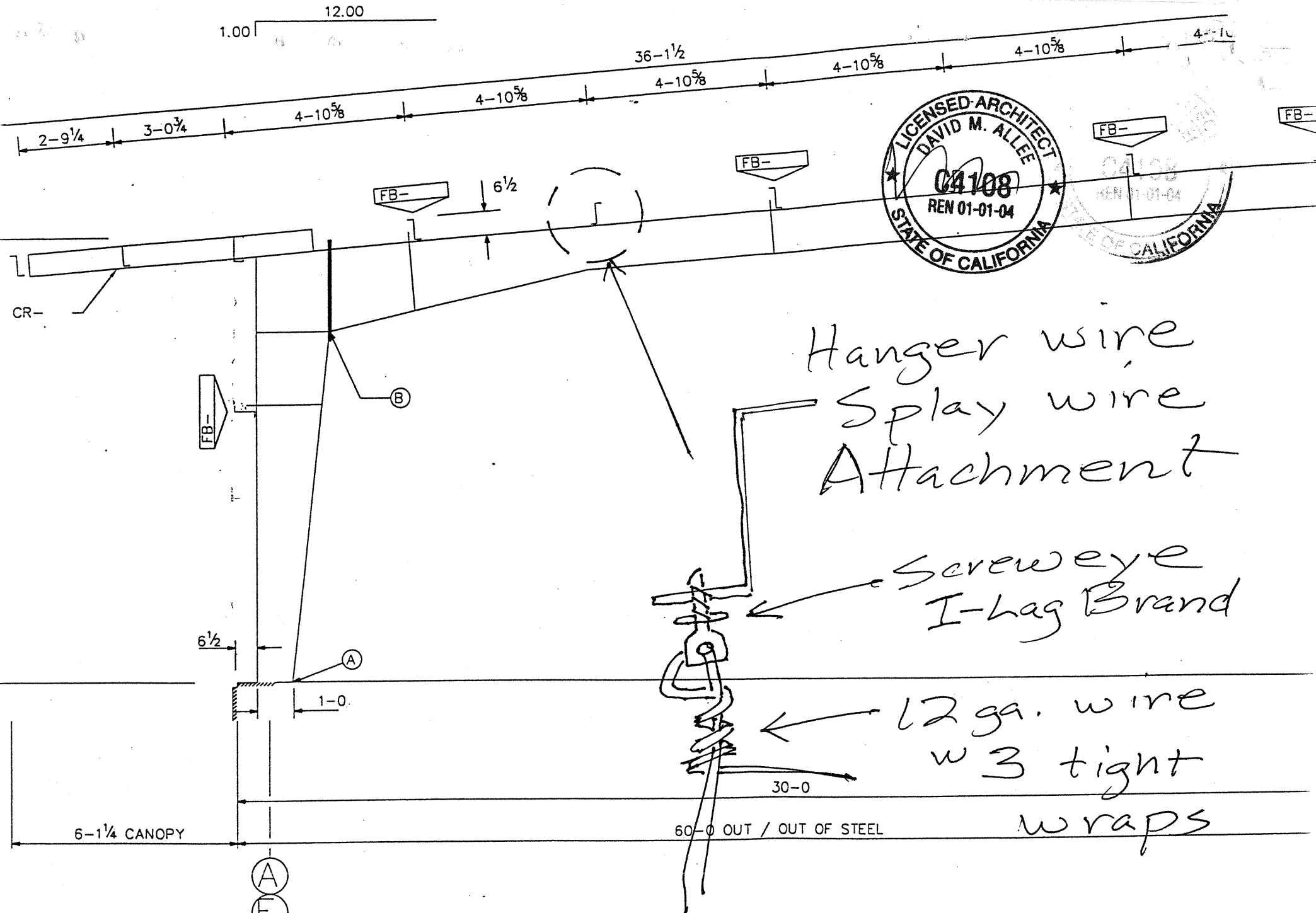
cross section
 1/4" = 1'-0"

change ceiling assembly per new detail, no structural change.

DATE: 6/28/02

*USE 1 1/2" BAR HANGERS W/ ACoustic TILE CEILING PER ATTACHED DETAILS
 Δ REV 6.28.02*





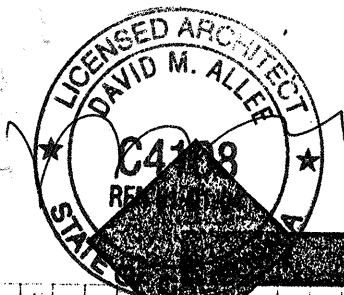
Hanger wire
Splay wire
Attachment

Screw eye
I-lag Brand

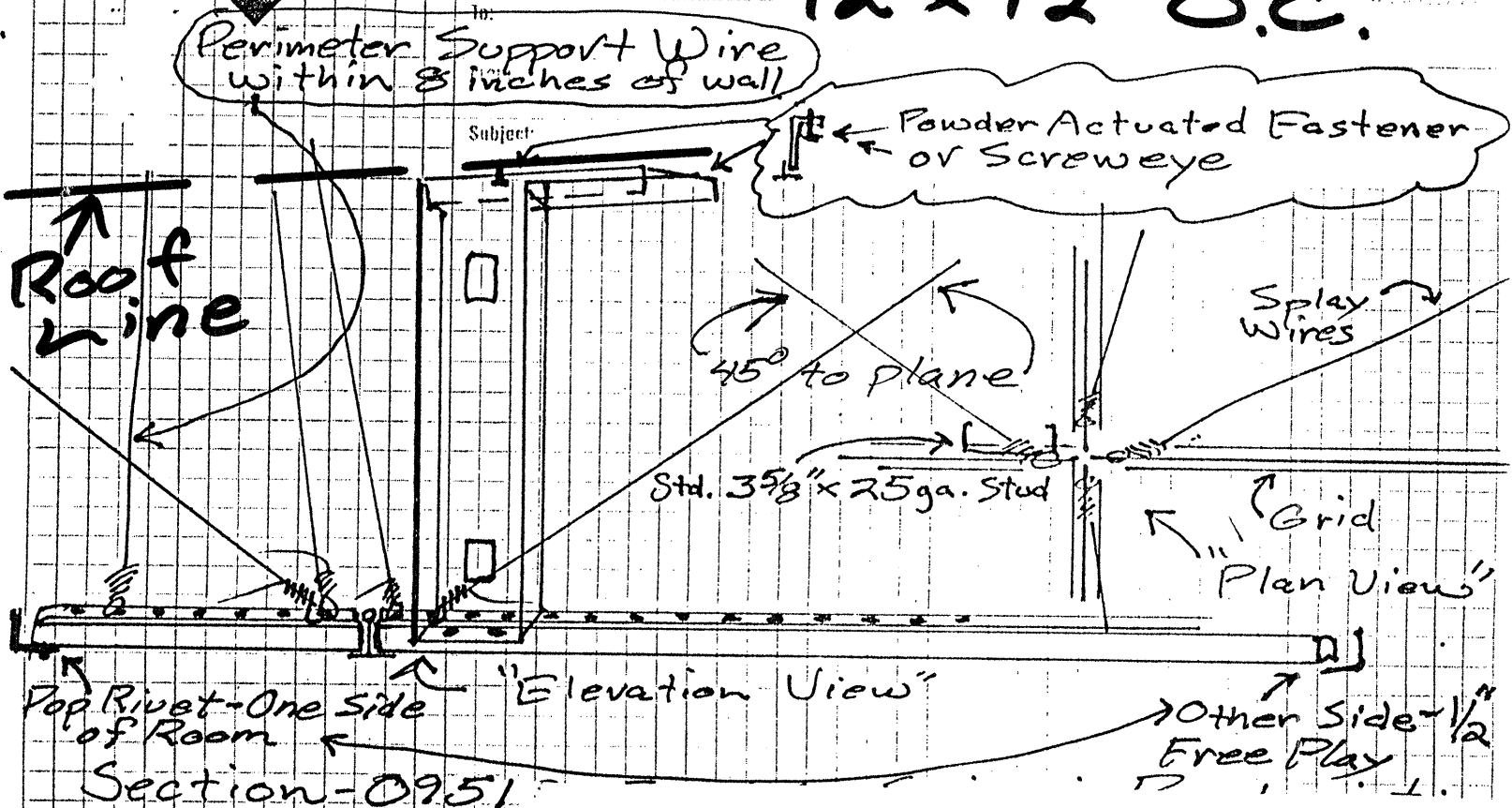
12 ga. wire
w 3 tight
wraps

CROSS SECTION AT FRAME LINES 2, 3

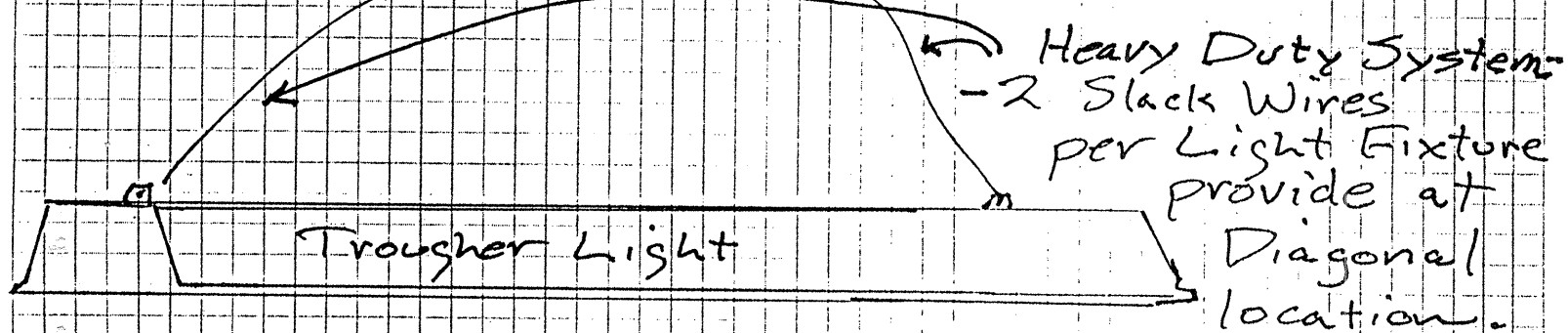
PROFESSIONAL



Shop Drawing of Memo Seismic Restraint 12' x 12' O.C.



to be in accordance with ASTM-E580



- * All wires #12 ga.
 - * Hanger Wires @ 48" O.C.
 - * Compression Posts and -
 - Splay Wires @ 12ft. O.C. → See Plans.
 - * Perimeter Wire Max 8" from walls
- Re: Reflected Ceiling Plan



DPLU-BUILDING DIVISION
APR 08 2002
County of San Diego
Plan Check
DPLU-BUILDING DIVISION
OCT 17 2001
County of San Diego
Plan Check
DPLU-BUILDING DIVISION
AUG 07 2001
County of San Diego
Plan Check

WedgCor, Inc.

Building Systems (701) 252-7380

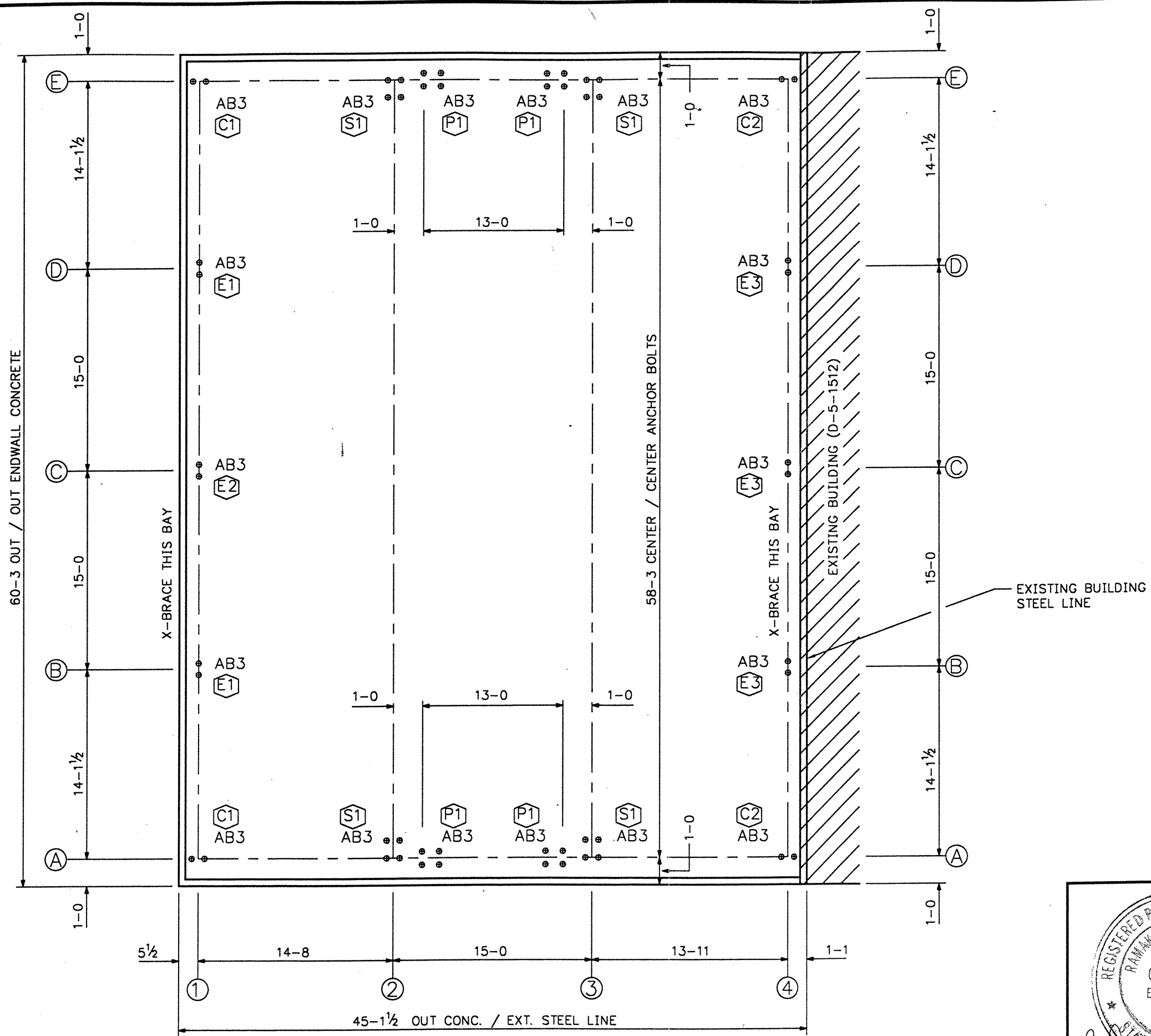
P.O. Box 110 • Jamestown, ND 58402-0110

PERMIT DRAWINGS

NOTE: THESE PLANS AND SPECIFICATIONS FOR CONSTRUCTION OF THIS BUILDING ARE NOT TO BE USED FOR ERECTION PURPOSES. THESE PLANS ARE FOR BUILDING DEPARTMENT PERMIT PURPOSES ONLY. THE ANCHOR BOLT PLAN PORTION IS FOR CONSTRUCTION.

NOTICE TO BUYER

WEDGCOR, INC. ONLY SUPPLIES BUILDING MATERIALS MANUFACTURED BY WEDGCOR, INC. YOUR DEALER IS INDEPENDENT AND NOT A CONTRACTOR OR AGENT OF WEDGCOR, INC. INSULATION, ERECTION, OVERHEAD DOORS, ETC., ARE NOT THE RESPONSIBILITY OF WEDGCOR, INC.



ANCHOR BOLT SETTING PLAN

(FOR REACTIONS AND DETAILS SEE A2 AND A3 OF 3)

AB_ DENOTES ANCHOR BOLT SIZE, DENOTES ANCHOR BOLT DETAIL

DPLU-BUILDING DIVISION

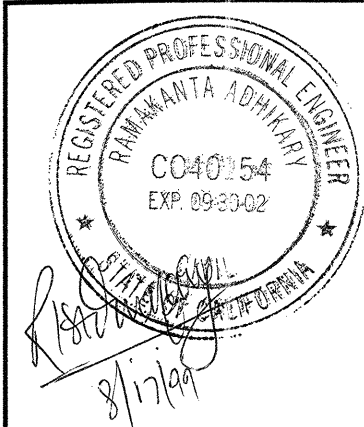
APR 08 2002

County of San Diego
Plan Check

DPLU-BUILDING DIVISION

OCT 17 2001

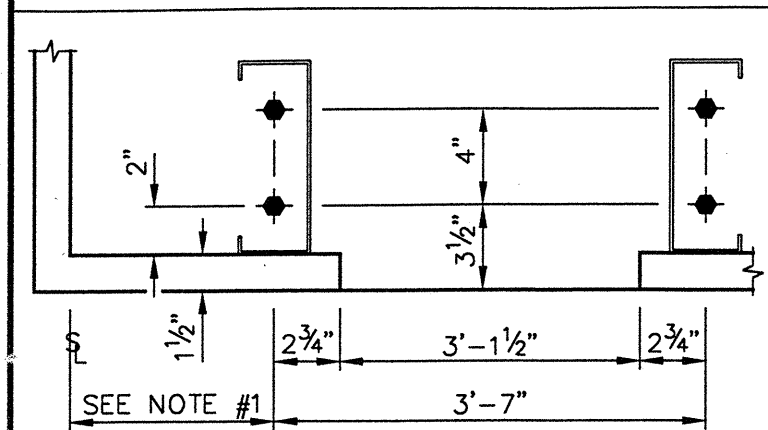
County of San Diego
Plan Check



Buyer : MUELLER CONSTRUCTION	Drawn By: <u>WDA</u>
Cust. : ST. STEPHEN LUTHERAN	<u>8-16-99</u>
Descr.: 60X45X12 1.00 :12	Check By: <u>BM</u>
Site : FALLBROOK, CA	<u>8-17-99</u>
Scale : NONE	
P.O. : W22581	SHEET NO. AI OF 3

WALKDOOR ANCHOR BOLT DETAIL

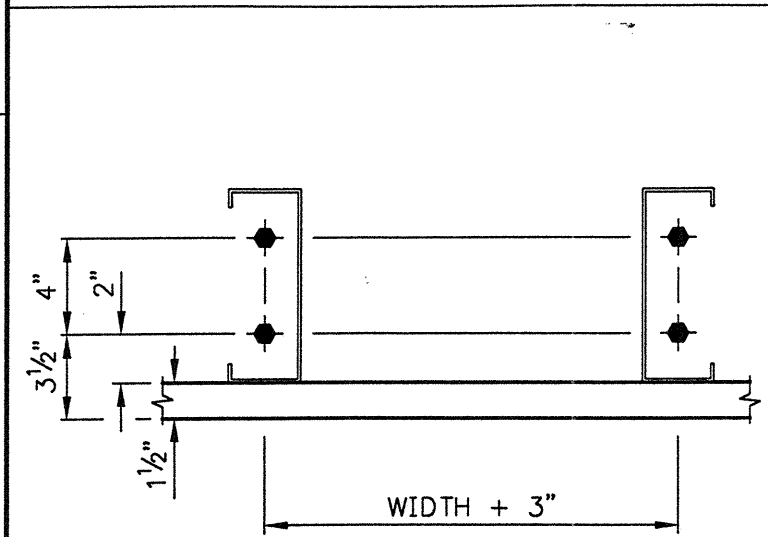
- 1) WHEN FIELD LOCATING WALKDOOR DO SO IN ONE FOOT INCREMENTS STARTING AT STEEL LINE.
EXAMPLE: 1'-8 1/2", 2'-8 1/2", 3'-8 1/2", ETC.
- 2) USE 1/2" ϕ x 3-3/4" EXPANDED ANCHORS OR EQUAL, MINIMUM EMBEDMENT 2-1/4".



DETAIL **A**

WINDOW ANCHOR BOLT DETAIL

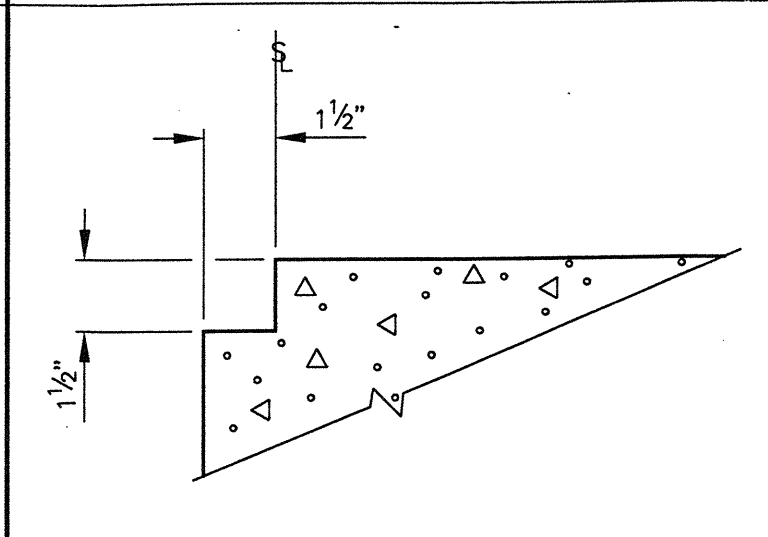
- 1) FIELD LOCATED BY OWNER.
- 2) USE 1/2" ϕ x 3-3/4" EXPANDED ANCHORS OR EQUAL, MINIMUM EMBEDMENT 2-1/4".



DETAIL **B**

SHEETING NOTCH

OMIT AT DOOR OPENING AND AS SHOWN ON ANCHOR BOLT SETTING PLAN.



DETAIL **C**

ACCESSORY SCHEDULE

MARK	DESCRIPTION	DETAIL	QTY.
3070	WALKDOOR F/O	A	5
4-0	X 4-0 WINDOW F/O	B	10

- GENERAL NOTES**
1. THIS BUILDING IS DESIGNED FOR THE FOLLOWING LOADS IN ACCORDANCE WITH THE 1994 UBC BUILDING CODE.
ROOF LL = 20.00 psf
WIND LOAD = 80.00 mph or psf EXPOSURE
COLLATERAL LOAD = 0.00 psf
SEISMIC ZONE = 4
CRANE = N/A
MEZZANINE LOAD:
LL = N/A psf
DL = N/A psf
 2. ANCHOR BOLTS AND ANY OTHER ITEMS EMBEDDED IN CONCRETE, INCLUDING ALL MASONRY FASTENERS AND ANCHORS, ARE NOT BY WEDGCR.
 3. FOUNDATION DESIGN OR ANY OTHER CONCRETE DESIGN WORK IS NOT BY WEDGCR (CONSULT A LOCAL ENGINEER FOR THE DESIGN OF FOUNDATION AND CONCRETE WORK).
 4. BASE PLATES ARE DESIGNED ASSUMING CONCRETE HAS A MINIMUM STRENGTH OF 2500 psi AT 28 DAYS.
 5. BASE PLATES SIZES ARE 3" x 8" UNLESS NOTED.
 6. ALL REACTIONS ARE GIVEN IN KIPS (1000 LBS).

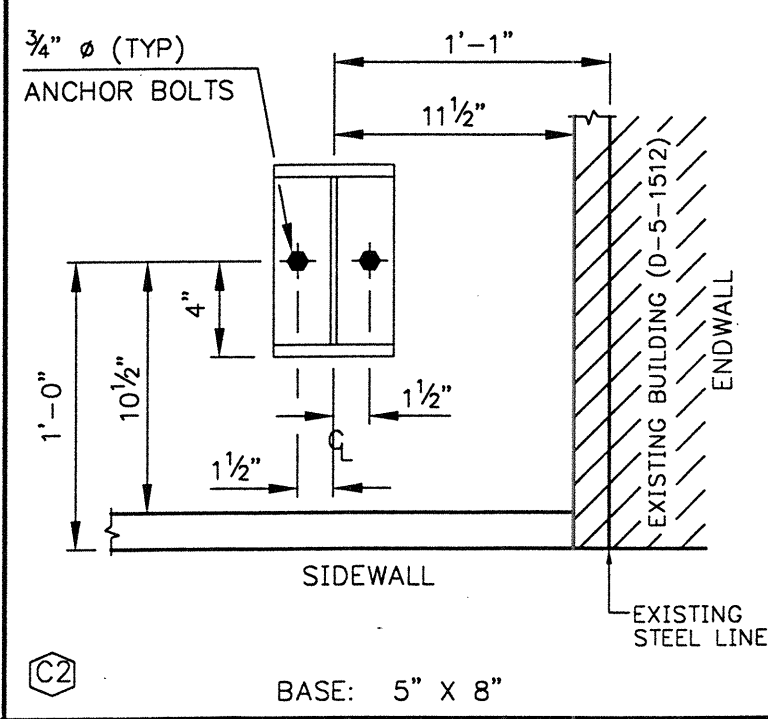
MATERIAL SPECIFICATIONS

1. GIRTS, PURLINS, AND EAVE STRUTS: ASTM A570, GRADE 55.
2. 11 GA. AND 7 GA. WEB PLATE: ASTM A570, GRADE 50.
3. 0.25 AND GREATER WEB PLATE: ASTM A572, GRADE 50.
4. BAR STOCK: ASTM A529, GRADE 50.
5. SHEETING: ASTM A446, GRADE "E" 80,000 psi.
6. TRIM: ASTM A446, GRADE "D" 50,000 psi.
7. BRACING: EHS ZINC COATED STEEL WIRE STRAND CONFORMING TO: ASTM A475-72a.
8. ANCHOR BOLT: ASTM A307 OR A36 ROD MATERIAL.
9. HIGH STRENGTH BOLTS: ASTM A325 (USED WHERE SPECIFIED ON DRAWINGS). ASTM A325 BOLTS ARE DESIGNED AS BEARING TYPE CONNECTIONS AND THREADS ARE INCLUDED IN THE SHEAR PLANE IN THE DESIGN OF THESE BOLTS.

ANCHOR BOLT SCHEDULE

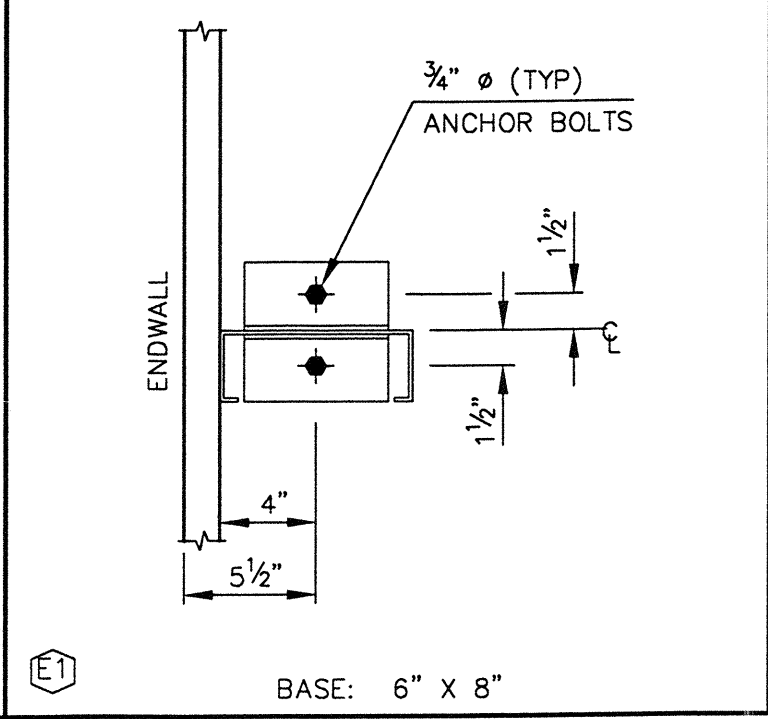
MARK	QTY.	DIA.	LEN.	A	B	C	PROJ.
AB3	52	3/4"	1'-5 1/2"	1'-3"	2 1/2"	2 1/2"	2"
	60	1/2"	3 3/4"	EXPANDED ANCHOR OR EQUAL			

ANCHOR BOLT SCHEDULE



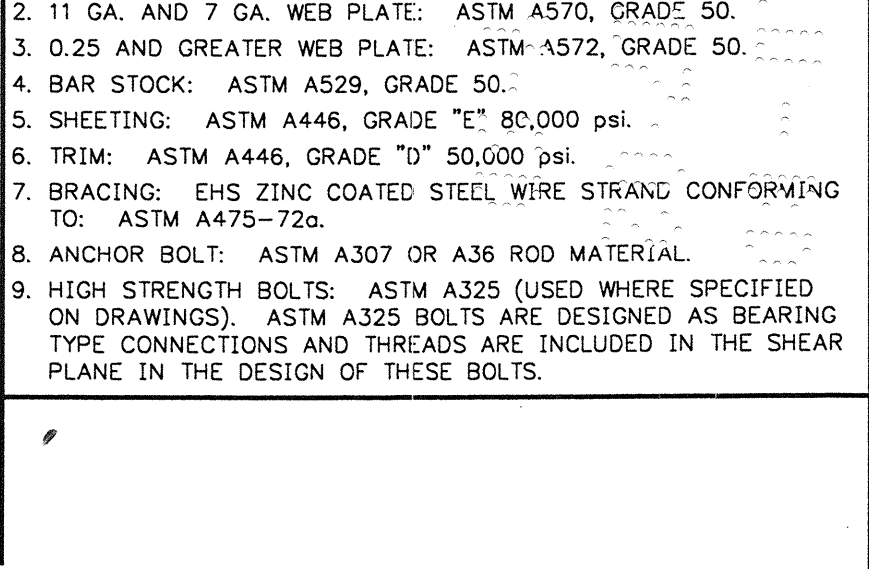
DETAIL **C1** BASE: 5" X 8"

ANCHOR BOLT SCHEDULE



DETAIL **C2** BASE: 5" X 8"

ANCHOR BOLT SCHEDULE

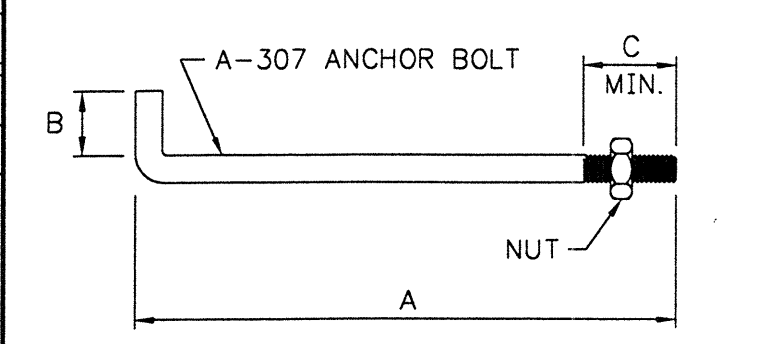


DETAIL **E1** BASE: 6" X 8"

ANCHOR BOLT SCHEDULE

MARK	QTY.	DIA.	LEN.	A	B	C	PROJ.
AB3	52	3/4"	1'-5 1/2"	1'-3"	2 1/2"	2 1/2"	2"
	60	1/2"	3 3/4"	EXPANDED ANCHOR OR EQUAL			

ANCHOR BOLT SCHEDULE



DETAIL **E1** BASE: 6" X 8"

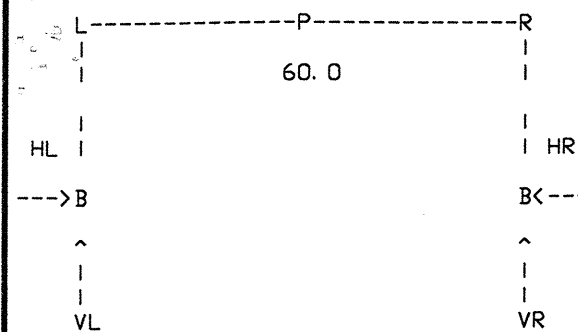


WEDGCR INC.

Buyer: MUELLER CONSTRUCTION Drawn By: WDA
 Cust.: ST. STEPHEN LUTHERAN 8-16-99
 Descr.: 60X45X12 1.00 :12 Check By: BM
 Site: FALLBROOK, CA 8-17-99
 Scale: NONE
 P.O.: W22581 SHEET NO. A2 OF 3

FRAME REACTIONS

LEFT EH= 12.000 (FT) LEFT RS: 1.000 /12
 RIGHT EH= 12.000 (FT) RIGHT RS: 1.000 /12
 DISTANCE TO PEAK FROM LEFT SIDE: 30.000 (FT)



FRAME LINES (W22581 #1): 2 3

BUILDING LOADS	COLUMN REACTIONS (KIPS)			
	HL	VL	HR	VR
DL	1.11	1.90	1.11	1.90
SL	6.59	12.60	6.59	12.60
WLL	-8.97	-14.18	-4.91	-13.33
WLR	-4.91	-13.33	-8.97	-14.18
UBL	5.77	7.92	5.77	5.58
SEIL	-1.73	-0.96	1.82	0.47
SEIR	1.82	0.47	-1.73	-0.96
COMB # 1	7.70	14.50	7.70	14.50
COMB # 2	6.88	9.81	6.88	7.48
COMB # 3	-7.86	-12.28	-3.79	-11.44
COMB # 4	-3.79	-11.44	-7.86	-12.28
COMB #12	-0.62	0.94	2.94	2.37
COMB #13	2.94	2.37	-0.62	0.94

NOTE: Load combinations listed are not complete for foundation design. It may control by doing additional combinations other than listed.

LOAD COMBINATIONS:

- COMB # 1--> 1.00 X(DL+ SL)
- COMB # 2--> 1.00 X(DL+ UBL)
- COMB # 3--> 1.00 X(DL+ WLL)
- COMB # 4--> 1.00 X(DL+ WLR)
- COMB #12--> 1.00 X(DL+ SEIL)
- COMB #13--> 1.00 X(DL+ SEIR)
- UBL-> 1.00X SNOW LOAD ON LEFT SLOPE ROOF+ 0.50X SNOW LOAD ON RIGHT SLOPE ROOF

BASE PLATE SUMMARY:

L. COL: 5.00 X 12.00 X 3/8" (4) 3/4" Ø A. B. 'S
 R. COL: 5.00 X 12.00 X 3/8" (4) 3/4" Ø A. B. 'S

NOTES:

- THE POSITIVE DIRECTIONS FOR THE FRAME COLUMN REACTIONS ARE :
 HORIZONTAL - INWARD DIRECTION TO THE BUILDING.
 VERTICAL - UPWARD DIRECTION.
- FORCES ON FOUNDATION WILL ACT IN THE OPPOSITE DIRECTION TO THE DIRECTION OF THE COLUMN REACTIONS.

ENDWALL COLUMN REACTIONS

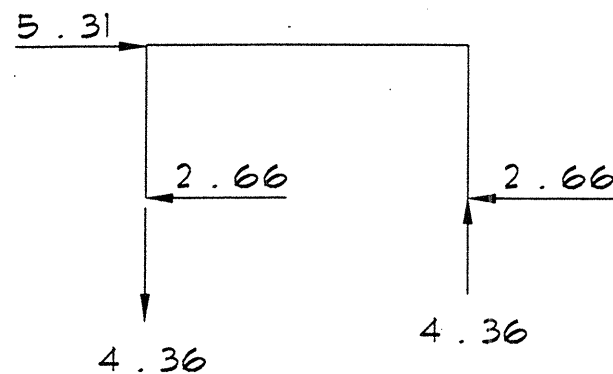
COL. LINE	FRAME LINE ①		
	DL + LL	DL + WL	
	V	H	V
Ⓐ	5.40	0.91	-1.67
Ⓑ	5.77	2.04	-4.87
Ⓒ	4.69	2.25	-3.95
Ⓓ	5.77	2.04	-4.87
Ⓔ	5.40	0.91	-1.67

COL. LINE	FRAME LINE ④		
	DL + LL	DL + WL	
	V	H	V
Ⓐ	4.54	0.91	-0.94
Ⓑ	3.25	2.04	-2.74
Ⓒ	2.64	2.25	-2.23
Ⓓ	3.25	2.04	-2.74
Ⓔ	4.54	0.91	-0.94

REACTIONS FOR WIND LOAD (DUE TO X-BRACING)

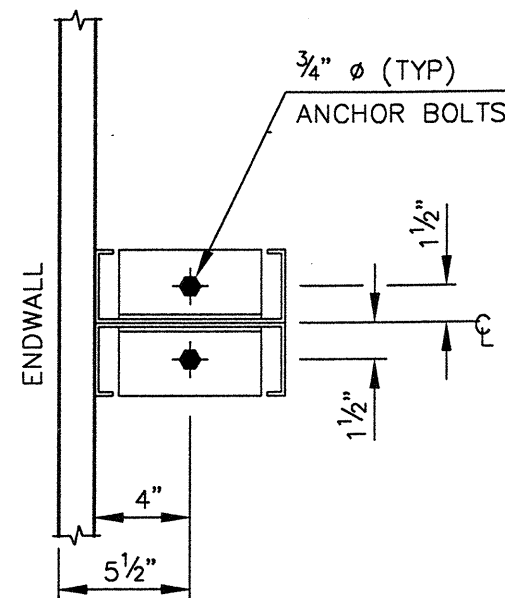
COL. LINE(S)	FRAME LINES	H (+-)	V (+-)
Ⓑ & Ⓒ	① & ④	4.5	10.9

REACTIONS AT PORTAL FRAME BETWEEN FRAME LINES ② AND ③ AT COLUMN LINE Ⓐ & Ⓔ



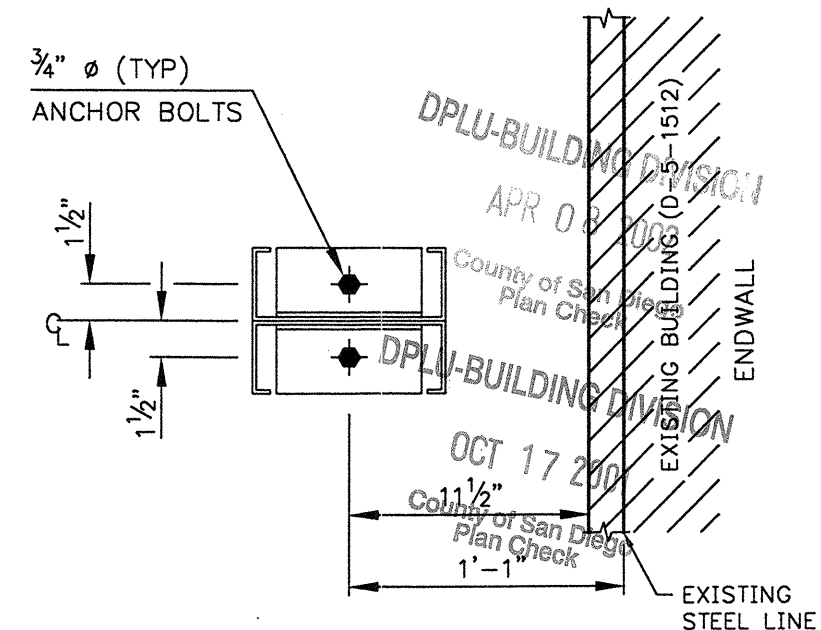
VERIFY LENGTH AND WIDTH DIMENSIONS

CHECK YOUR ANCHOR BOLT SETTING PLANS TO MAKE CERTAIN THAT THE DIMENSIONS LISTED AGREE WITH THE DIMENSIONS ON YOUR CONTRACT



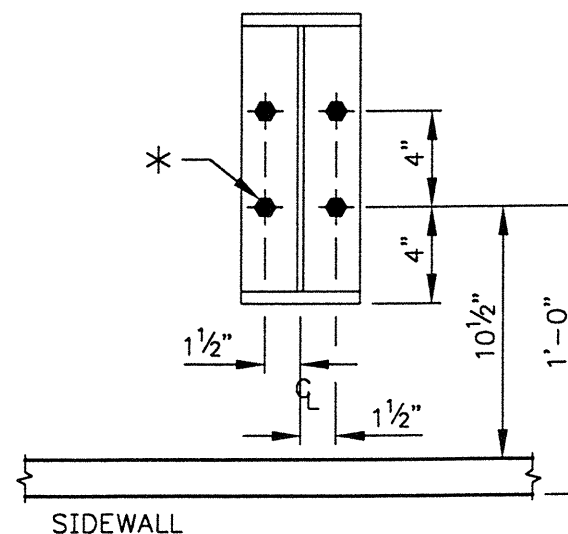
E2

BASE: 6" X 8"



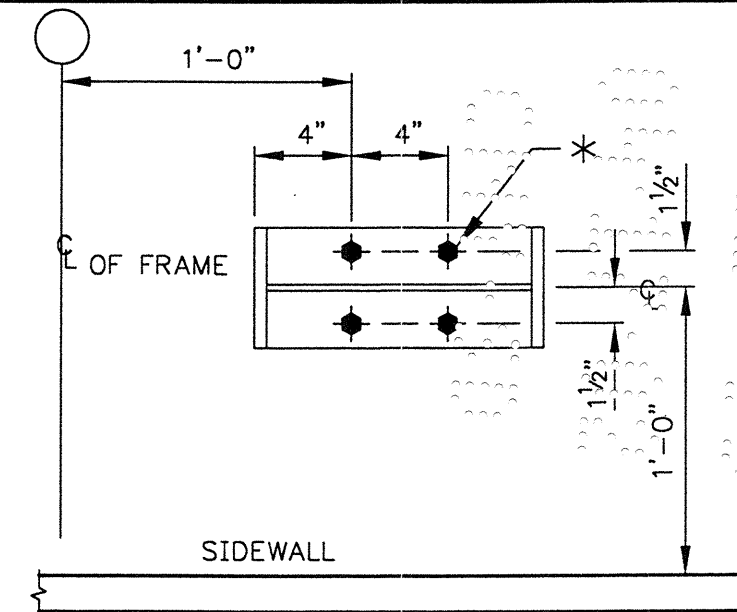
E3

BASE: 6" X 8"



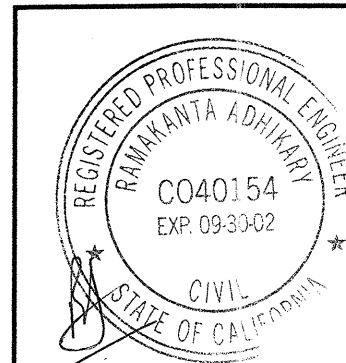
S1

* SEE ANCHOR BOLT SETTING PLAN FOR ANCHOR BOLT DIAMETER

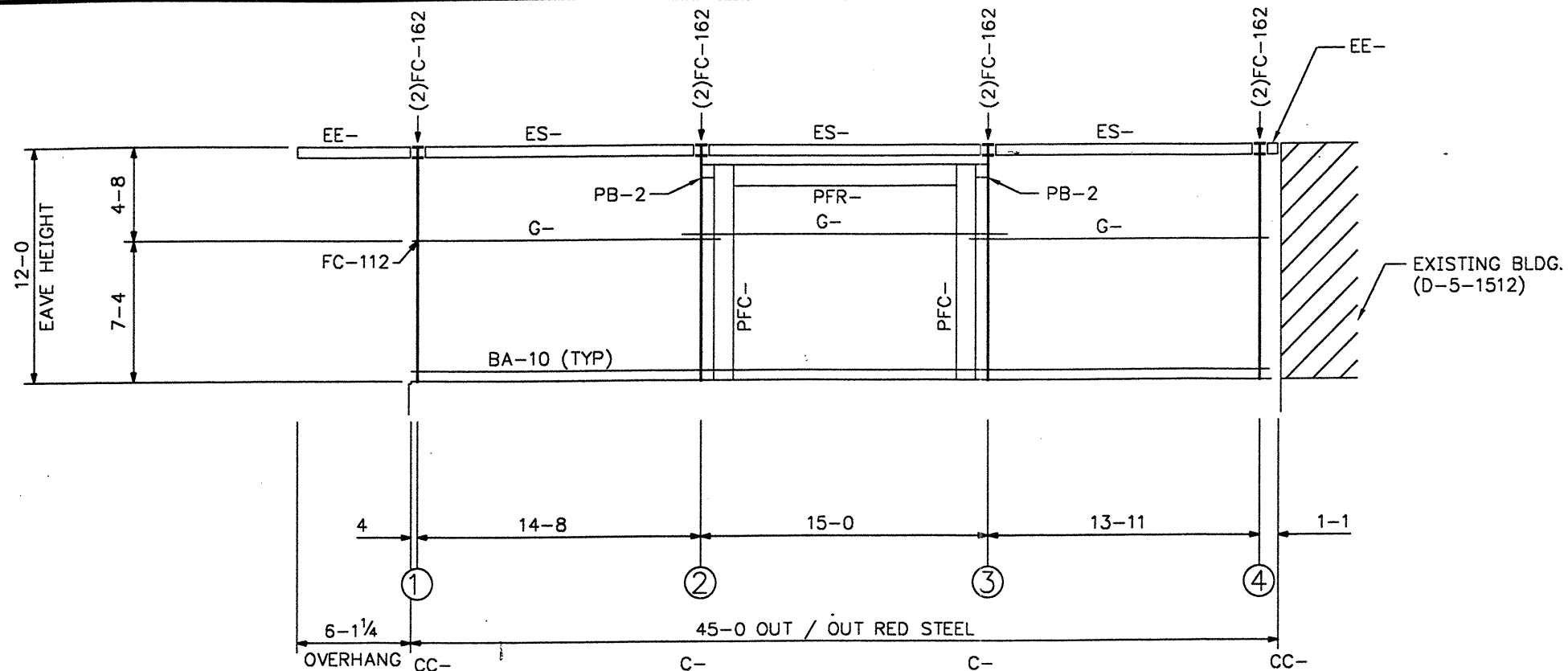


P1

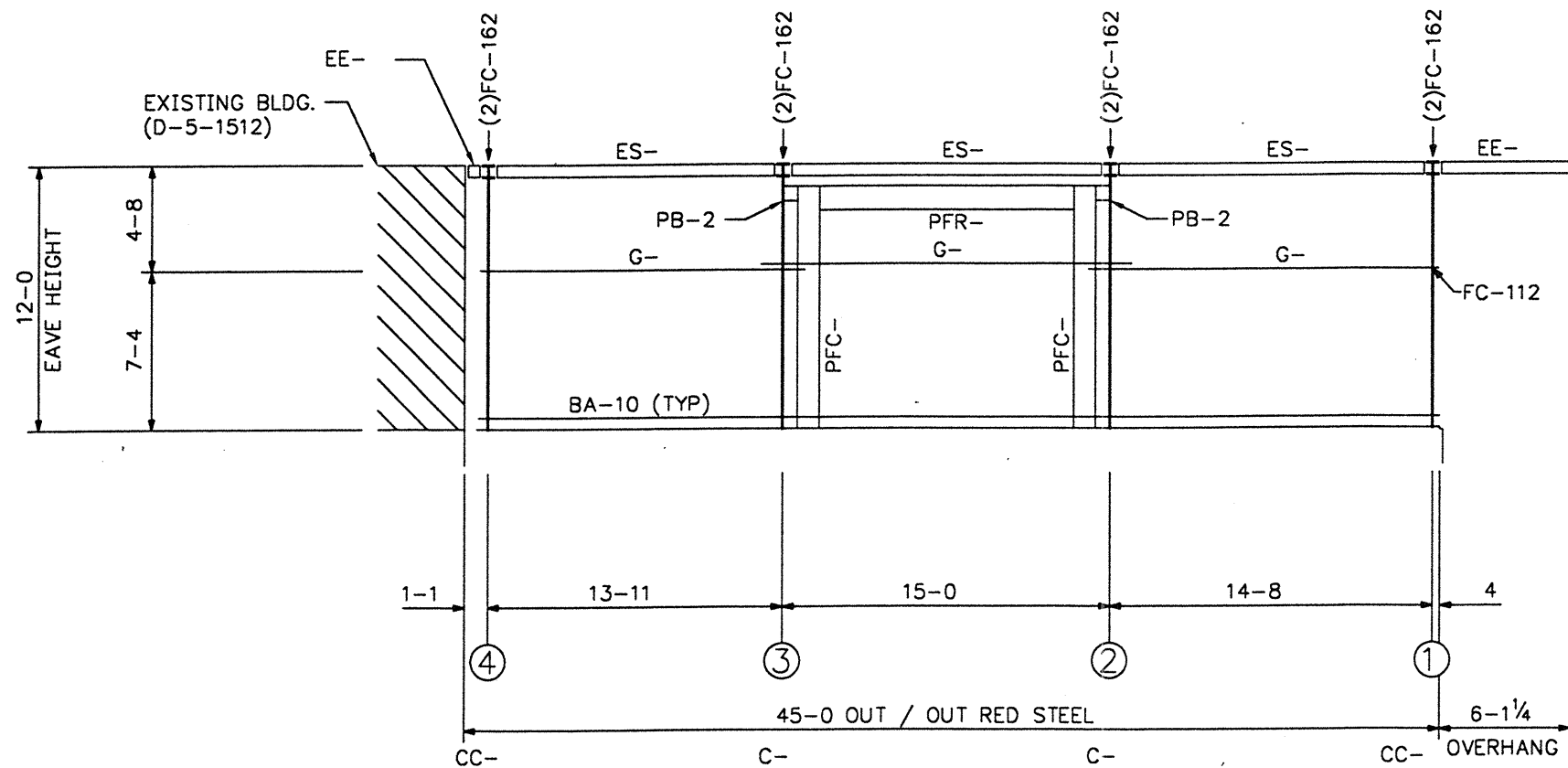
* SEE ANCHOR BOLT SETTING PLAN FOR ANCHOR BOLT DIAMETER



WEDGECOR INC.
 Buyer : MUELLER CONSTRUCTION Drawn By: WDA
 Cust. : ST. STEPHEN LUTHERAN 8-16-99
 Descr.: 60X45X12 1.00 :12 Check By: [Signature]
 Site : FALLBROOK, CA 8-17-99
 Scale : NONE
 P.O. : W22581 SHEET NO. A3 OF 3



ELEVATION AT COL. LINE A

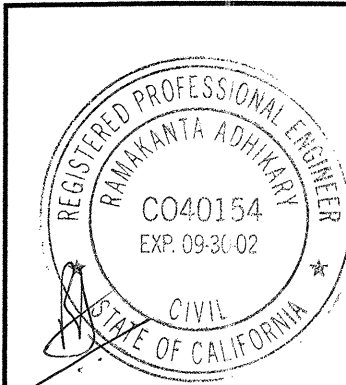


ELEVATION AT COL. LINE E

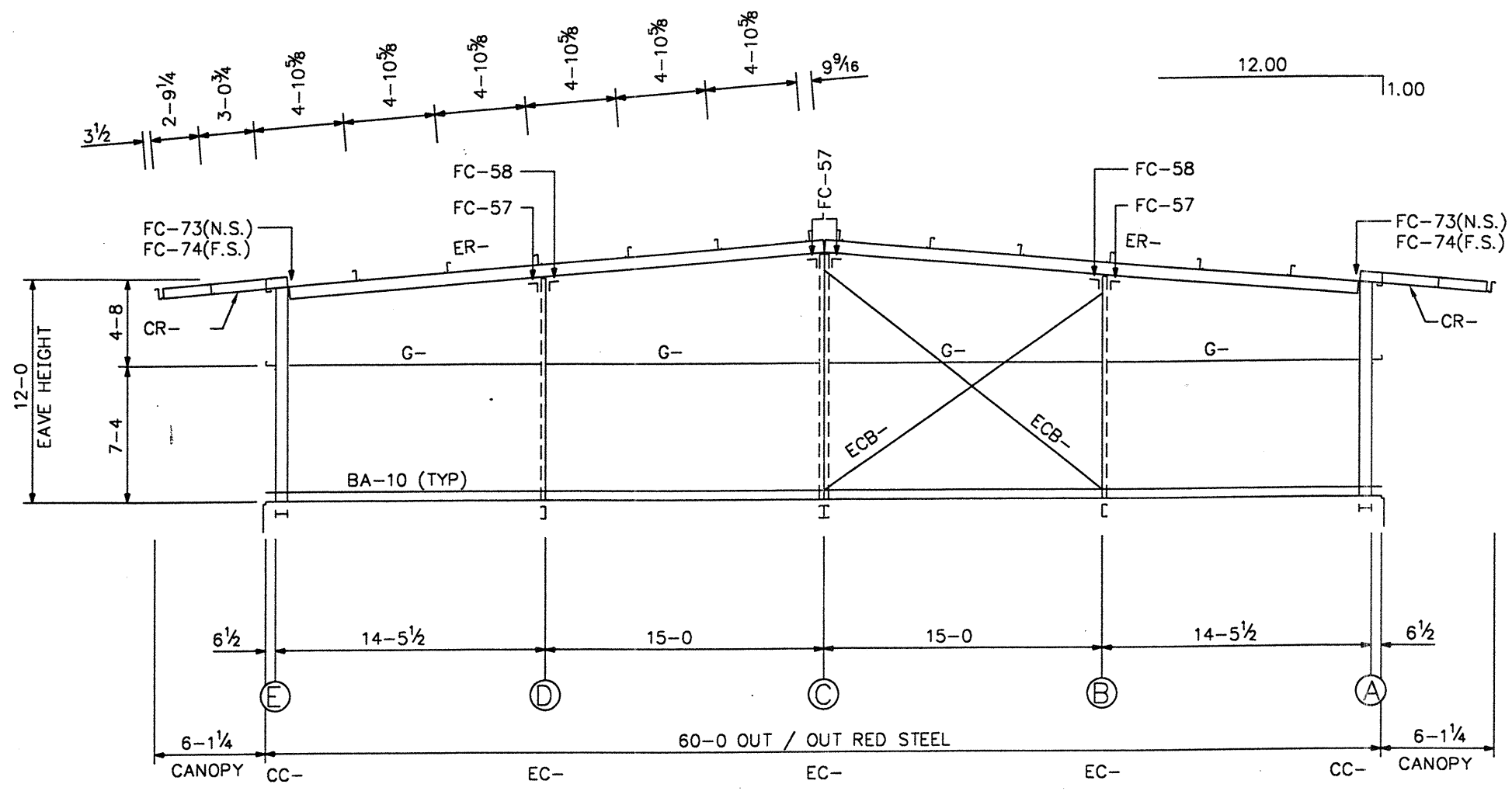
LEGEND	
C-	MAIN FRAME COLUMN
RB-	MAIN FRAME RAFTER
PFC-	PORTAL COLUMN
PFR-	PORTAL RAFTER
CC-	CORNER COLUMN
EC-	ENDWALL COLUMN
ER-	ENDWALL RAFTER
DJ-	DOOR JAMB
DH-	DOOR HEADER
G-	GIRT
P-	PURLIN
ES-	EAVE STRUT
FC-	FRAMING CLIP
CL-	SPECIAL CLIP
RC-	RIDGE CAP
RS-	ROOF SHEET
SW-	SIDEWALL SHEET
EW-	ENDWALL SHEET
ETC-	FRAMING CLOSURE TRIM
TR-	SPECIAL TRIM
AL-	ANGLE
A-	SPECIAL ANGLE
FB-	FLANGE BRACE
CL	CENTER LINE
N.A.	NOT APPLICABLE
F.S.	FAR SIDE
N.S.	NEAR SIDE
N.B.W.	NOT BY WEDG COR
O.C.	ON CENTER
S	STEEL LINE
A.S.	AS SHOWN
O.H.	OPPOSITE HAND
TYP.	TYPICAL
U.N.	UNLESS NOTED
SCB-	SIDEWALL CABLE
ECB-	ENDWALL CABLE
PCB-	ROOF CABLE

DPLU-BUILDING DIVISION
 APR 08 2002
 County of San Diego
 Plan Check
 DPLU-BUILDING DIVISION
 OCT 17 2001
 County of San Diego
 Plan Check

ERECTION REQUIREMENTS
 FOR FRAMING DETAILS SEE G5
 FOR PORTAL FRAME DETAILS SEE E9
 2-0 GIRT LAP.
 FOR OVERHANG DETAILS SEE G1 & G3.
 FOR CANOPY DETAILS SEE G5.



Buyer : MUELLER CONSTRUCTION Drawn By: WDA
 Cust. : ST. STEPHEN LUTHERAN 8-16-99
 Descr.: 60X45X12 1.00 :12 Check By: _____
 Site : FALLBROOK, CA
 Scale : NONE
 P.O. : W22581 SHEET NO. E1 OF 9



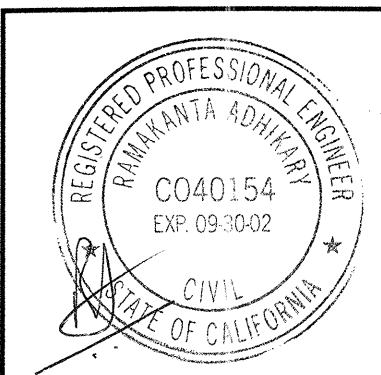
DPLU-BUILDING DIVISION
 APR 08 2002
 County of San Diego
 Plan Check

DPLU-BUILDING DIVISION
 OCT 17 2001
 County of San Diego
 Plan Check

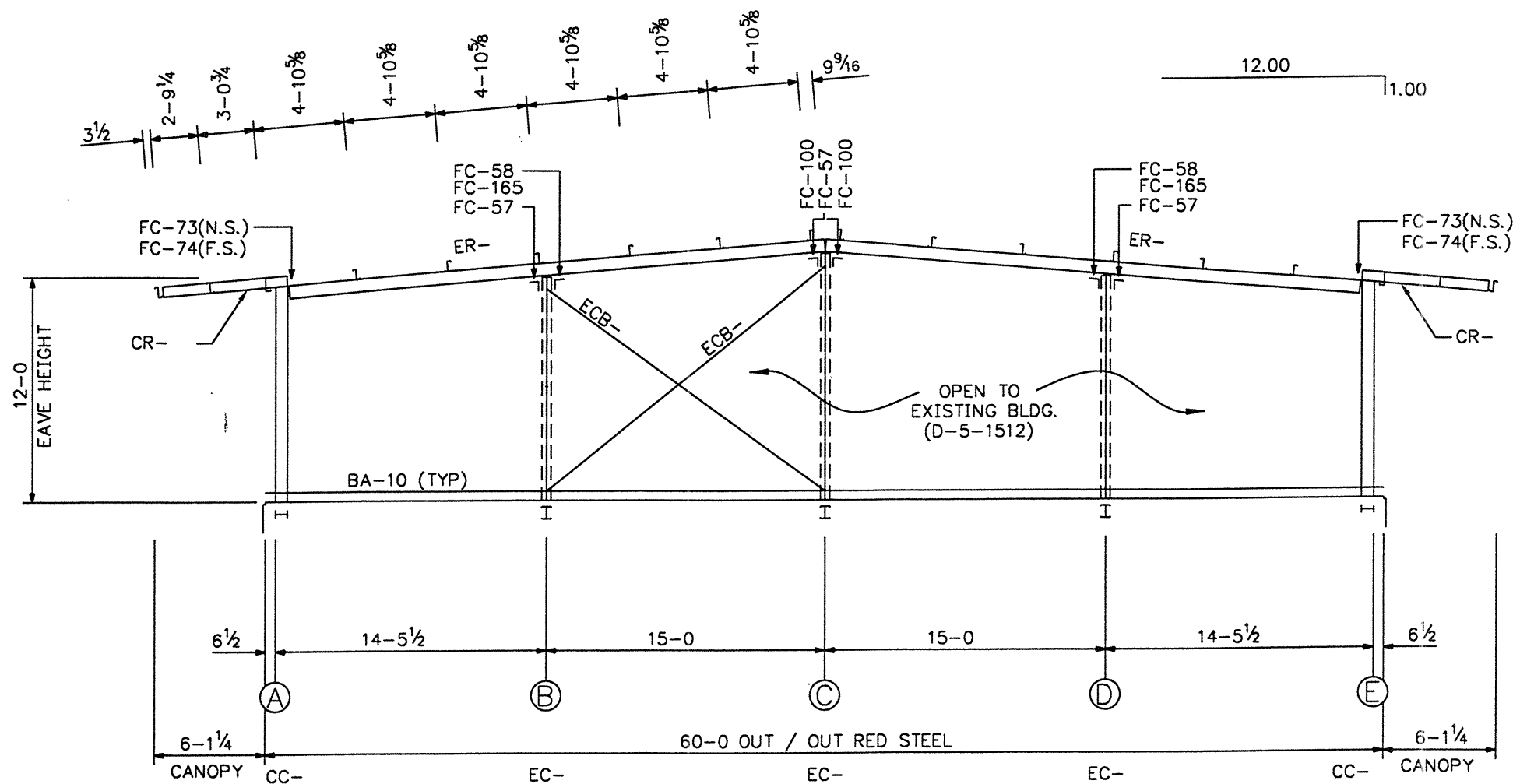
ERECTION REQUIREMENTS

- FOR CABLE BRACING SIZES AND DETAILS SEE G4
- (2)FC-50 AT EACH SINGLE AND DOUBLE "C" SECTION ENDWALL COLUMN BASE.
- FC-4 AT END OF EACH GIRT TO OPEN SIDE OF ENDWALL COLUMNS
- FC-7 AT END OF EACH GIRT TO WEB SIDE OF ENDWALL COLUMNS.
- FC-62, FC-63, AND FC-64 AT RAFTER PEAK SPLICE.
- FOR ENDWALL DETAILS AND BOLT REQUIREMENTS SEE G1 & G3
- FC-75 AT END OF EACH GIRT TO CORNER COLUMN FLANGE.
- FC-54 INSIDE WEB OF EACH CORNER COLUMN AT GIRT HT.
- FIELD SLOT GIRTS FOR CABLE BRACING AS REQ'D.
- FOR CANOPY DETAILS SEE G1

**ELEVATION AT
 FRAME LINE 1**



Buyer : MUELLER CONSTRUCTION	Drawn By: WDA
Cust. : ST. STEPHEN LUTHERAN	8-16-99
Descr.: 60X45X12 1.00 :12	Check By: _____
Site : FALLBROCK, CA	
Scale : NONE	
P.O. : W22581	SHEET NO.E2 OF 9



ELEVATION AT
FRAME LINE 4

ERECTION REQUIREMENTS

FOR CABLE BRACING SIZES
AND DETAILS SEE G4

(2)FC-50 AT EACH
ENDWALL COLUMN BASE.

FC-60, FC-63, AND FC-64 AT
RAFTER PEAK SPLICE.

FOR ENDWALL DETAILS AND
BOLT REQUIREMENTS SEE G2 & G3

FOR CANOPY DETAILS SEE G2

DPLU-BUILDING DIVISION

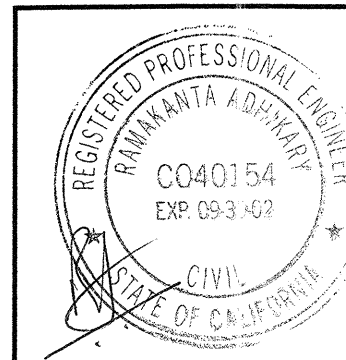
APR 08 2002

County of San Diego
Plan Check

DPLU-BUILDING DIVISION

OCT 17 2001

County of San Diego
Plan Check



WEDGCOR INC.

Buyer : MUELLER CONSTRUCTION Drawn By: WDA

Cust. : ST. STEPHEN LUTHERAN 8-16-99

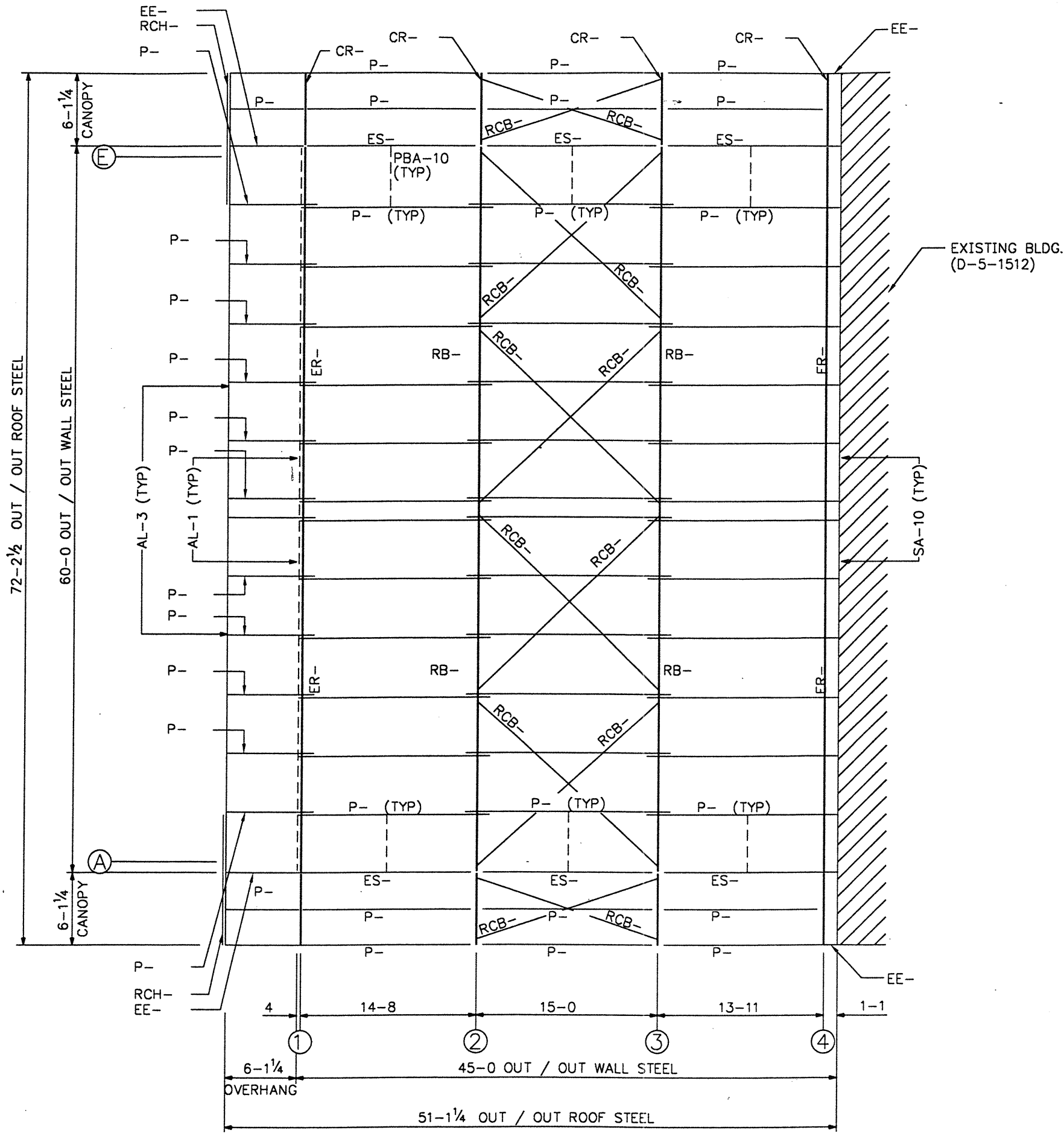
Descr.: 60X45X12 1.00 :12 Check By: _____

Site : FALLBROOK, CA

Scale : NONE

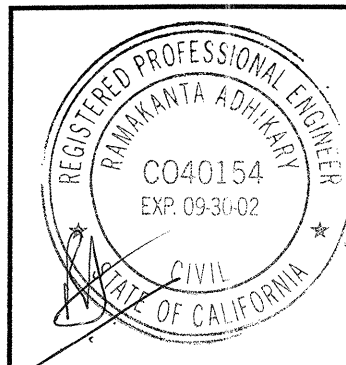
P.O. : W22581

SHEET NO.E3 OF 9



ERECTION REQUIREMENTS
 FOR CABLE BRACING SIZES AND DETAILS SEE G4
 FOR FRAMING DETAILS SEE G5
 2-0 PURLIN LAP.
 PBA-10 LOCATED IN CENTER OF EACH BAY AS SHOWN AND TO BE INSTALLED BEFORE ROOF SHEETING SEE G9
 FOR CANOPY DETAILS SEE G1 & G2
 FOR OVERHANG DETAILS SEE G1 & G3
 FC-163 AT END OF CANOPY RAFTER TO CANOPY PURLIN.

DPLU-BUILDING DIVISION
 APR 08 2002
 County of San Diego
 Plan Check
 DPLU-BUILDING DIVISION
 OCT 17 2001
 County of San Diego
 Plan Check



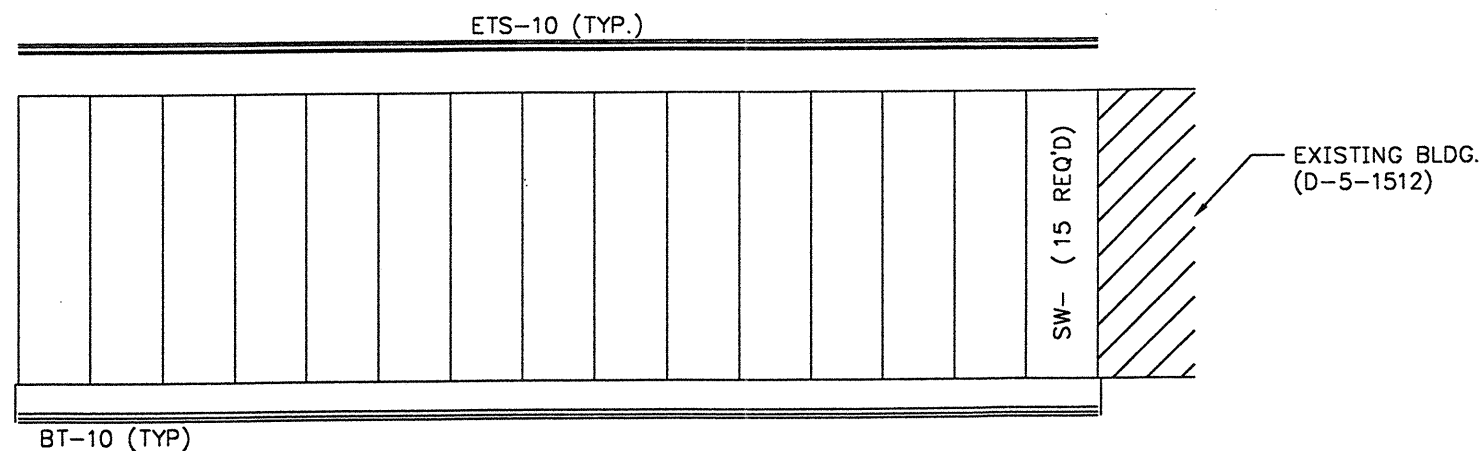
Buyer : MUELLER CONSTRUCTION	Drawn By: WDA
Cust. : ST. STEPHEN LUTHERAN	8-16-99
Descr.: 60X45X12 1.00 :12	Check By: _____
Site : FALLBROOK, CA	
Scale : NONE	
P.O. : W22581	SHEET NO. E4 OF 9

ROOF FRAMING PLAN

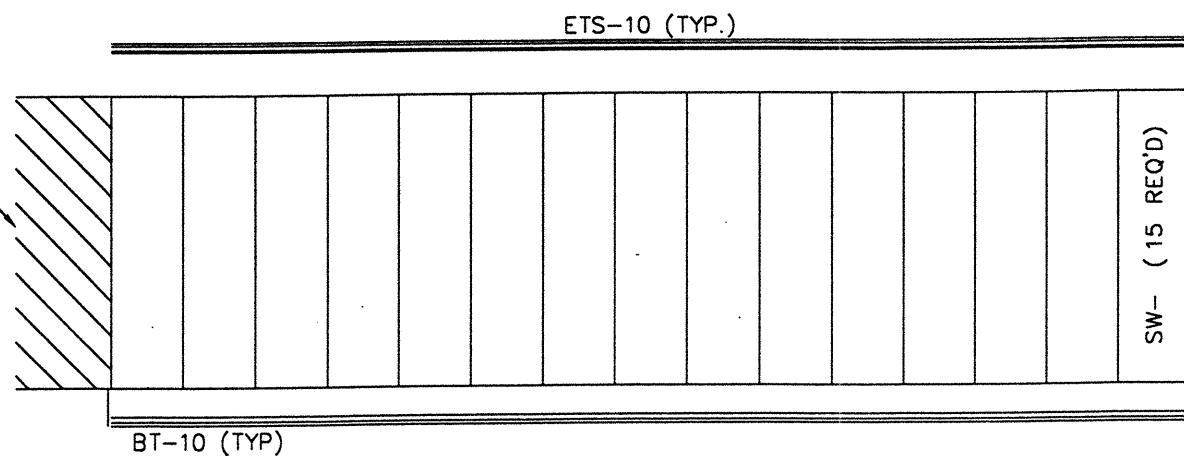
SCHEDULE OF ACCESSORIES

NO. REQD	DESCRIPTION	LOCATION
5	3070 WALKDOOR W/ HARDWARE	FIELD
10	4- 0 X 4- 0 FRAMED OPENING FOR WINDOW W/ FULL TRIM	FIELD

THIS BUILDING HAS GUTTER WITH 4 DOWNSPOUT LOCATIONS.



ELEVATION AT COL. LINE A



ELEVATION AT COL. LINE E

ERECTION REQUIREMENTS

BEGIN SHEETING STARTING CENTERLINE OF HI-RIB AT EXISTING BLDG. STEEL LINE. FOR TRIM DETAILS SEE G6 & G7 FOR SCREW PATTERNS SEE G9

DPLU-BUILDING DIVISION

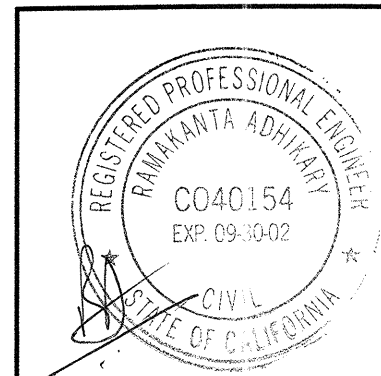
APR 08 2002

County of San Diego
Plan Check

DPLU-BUILDING DIVISION

OCT 17 2001

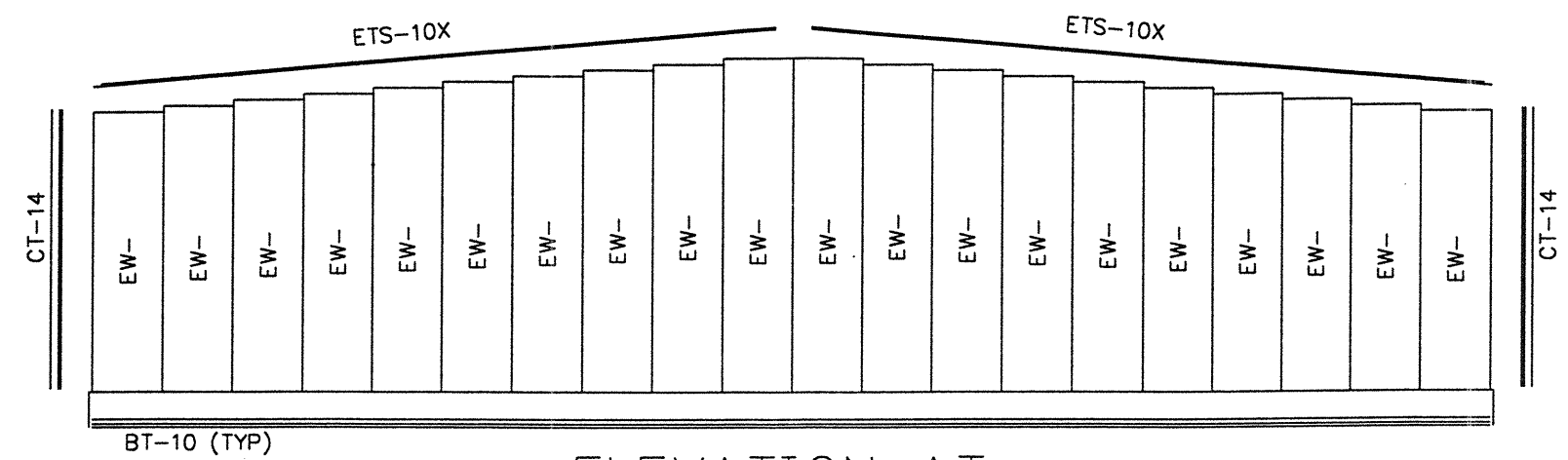
County of San Diego
Plan Check



WEDGCOR INC.
 Buyer : MUELLER CONSTRUCTION Drawn By: WDA
 Cust. : ST. STEPHEN LUTHERAN 8-16-99
 Descr.: 60X45X12 1.00 :12 Check By: _____
 Site : FALLBROOK, CA
 Scale : NONE
 P.O. : W22581 SHEET NO. E5 OF 9

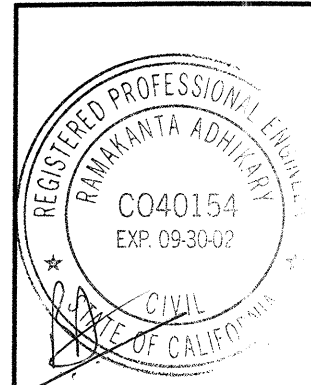
DPLU-BUILDING DIVISION
 APR 08 2002
 County of San Diego
 Plan Check

DPLU-BUILDING DIVISION
 OCT 17 2001
 County of San Diego
 Plan Check

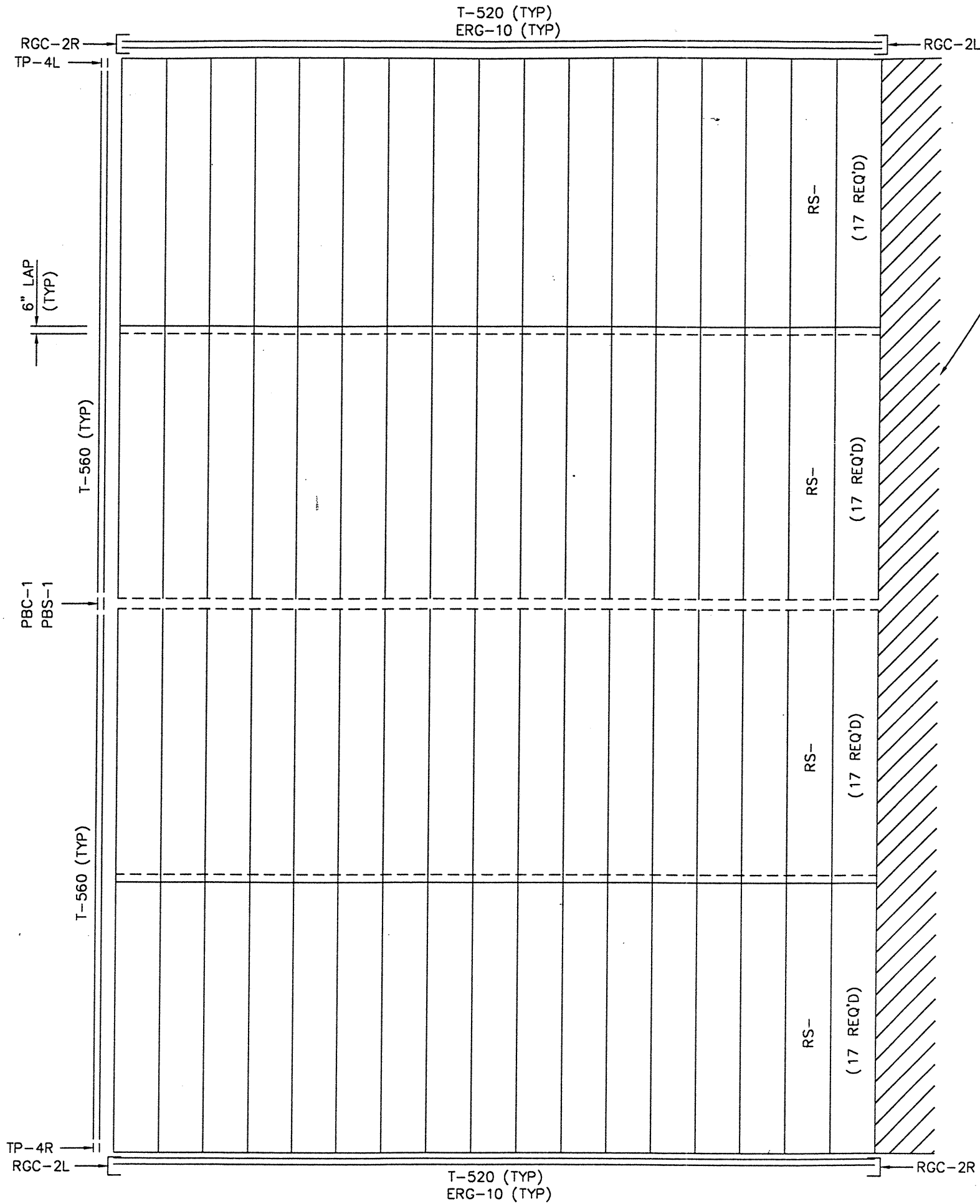


ELEVATION AT
FRAME LINE 1

ERECTION REQUIREMENTS
 BEGIN SHEETING STARTING
 CENTERLINE OF HI-RIB
 AT STEEL LINE.
 FOR TRIM DETAILS SEE G6 & G7
 FOR SCREW PATTERNS SEE G9



△	
△	
△	
WEDGCOR INC.	
Buyer : MUELLER CONSTRUCTION	Drawn By: <u>WDA</u>
Cust. : ST. STEPHEN LUTHERAN	<u>8-16-99</u>
Descr.: 60X45X12 1.00 :12	Check By: _____
Site : FALLBROOK, CA	
Scale : NONE	
P.O. : W22581	SHEET NO. <u>E6</u> OF 9



EXISTING BLDG.
(D-5-1512)

DPLU-BUILDING DIVISION
APR 08 2002
County of San Diego
Plan Check

DPLU-BUILDING DIVISION
OCT 17 2001
County of San Diego
Plan Check

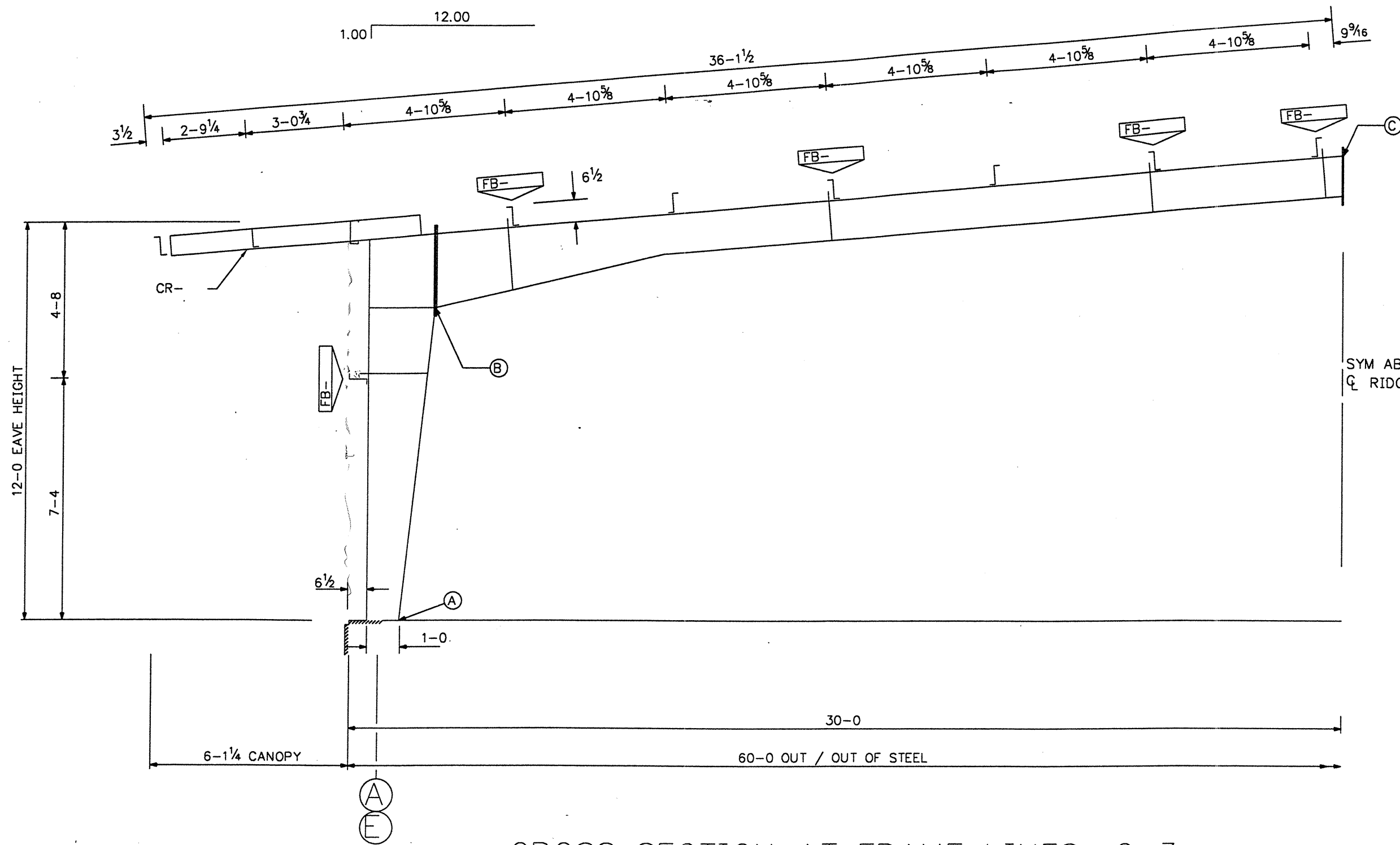
ERECTION REQUIREMENTS

BEGIN SHEETING STARTING
CENTERLINE OF HI-RIB
AT EXISTING BLDG. STEEL LINE.
17 RIDGE CAPS (RC-1) AT PEAK.
FOR SCREW PATTERNS SEE G9
FOR TRIM DETAILS SEE G6 & G7.



Buyer : MUELLER CONSTRUCTION	Drawn By: WDA
Cust. : ST. STEPHEN LUTHERAN	8-16-99
Descr.: 60X45X12 1.00 :12	Check By: _____
Site : FALLBROOK, CA	_____
Scale : NONE	_____
P.O. : W22581	SHEET NO. ET OF 9

ROOF SHEETING PLAN



DPLU-BUILDING DIVISION
 APR 08 2002
 County of San Diego
 Plan Check

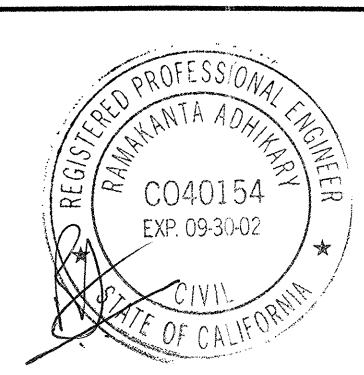
SYM ABOUT
 Q RIDGE

DPLU-BUILDING DIVISION
 OCT 17 2001
 County of San Diego
 Plan Check

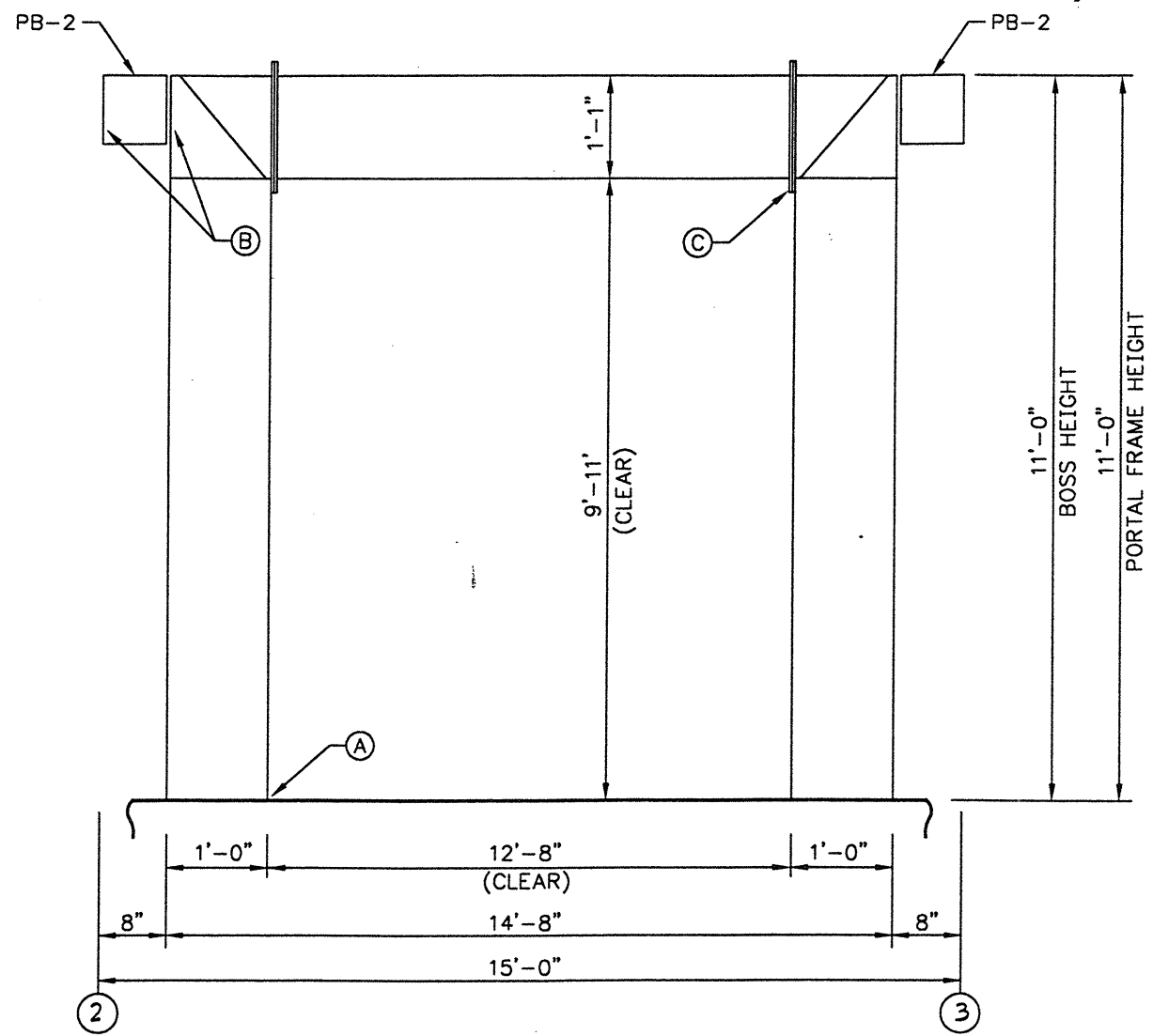
CROSS SECTION AT FRAME LINES 2, 3

PLATE SIZE TABLE			SPLICE BOLT TABLE			
CONN.	LEFT SIDE	RIGHT SIDE	SPLICE	QTY	SIZE	TYPE
A	5 X 3/8 X 1-0	N/A	A	4	3/4 X 1-5 1/2	A307 B&N
B	5 X 1/2 X 2-8 1/2	5 X 1/2 X 2-8 1/2	B	14	3/4 X 2	A325 B&N
C	5 X 1/2 X 1-8 1/4	N/A	C	8	3/4 X 2	A325 B&N

VERTICAL CLEARANCE AT LEFT HAUNCH = 9-5 7/16
 VERTICAL CLEARANCE AT PEAK = 12-6 1/8
 HORIZONTAL CLEARANCE HAUNCH TO PEAK = 27-4 5/16



WEDGCOR INC.
 Buyer : MUELLER CONSTRUCTION Drawn By: WDA
 Cust. : ST. STEPHEN LUTHERAN 8-16-99
 Descr.: 60X45X12 1.00 :12 Check By: _____
 Site : FALLBROOK, CA
 Scale : NONE
 P.O. : W22581 SHEET NO. E8 OF 9



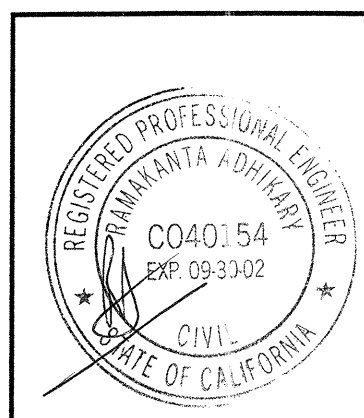
PORTAL FRAME CROSS SECTION

BETWEEN LINES: ② & ③
 AT LINE(S): ① & ⑤

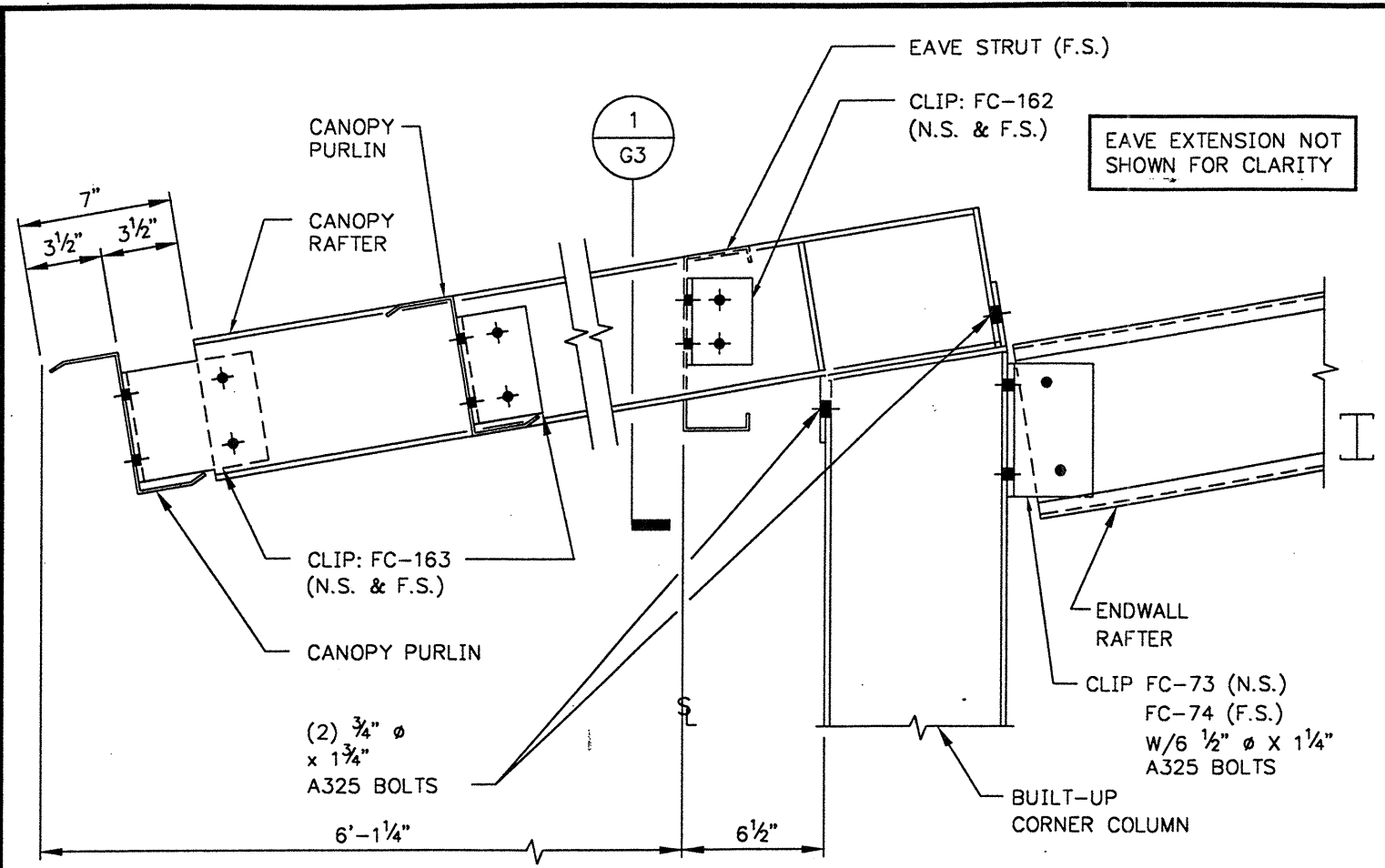
PLATE SIZE TABLE		SPLICE BOLT TABLE			
CONN.	PLATE SIZE	SPLICE	QTY.	SIZE	SIZE
A	5 x 3/8 x 8	A	2	3/4 ø x 1-5 1/2	A307 B&N
B	N/A	B	4	1/2 ø x 1 1/2	A325 B&N
C	5 x 3/8 x 8	C	2	3/4 ø x 1-5 1/2	A325 B&N

DPLU-BUILDING DIVISION
 APR 08 2002
 County of San Diego
 Plan Check

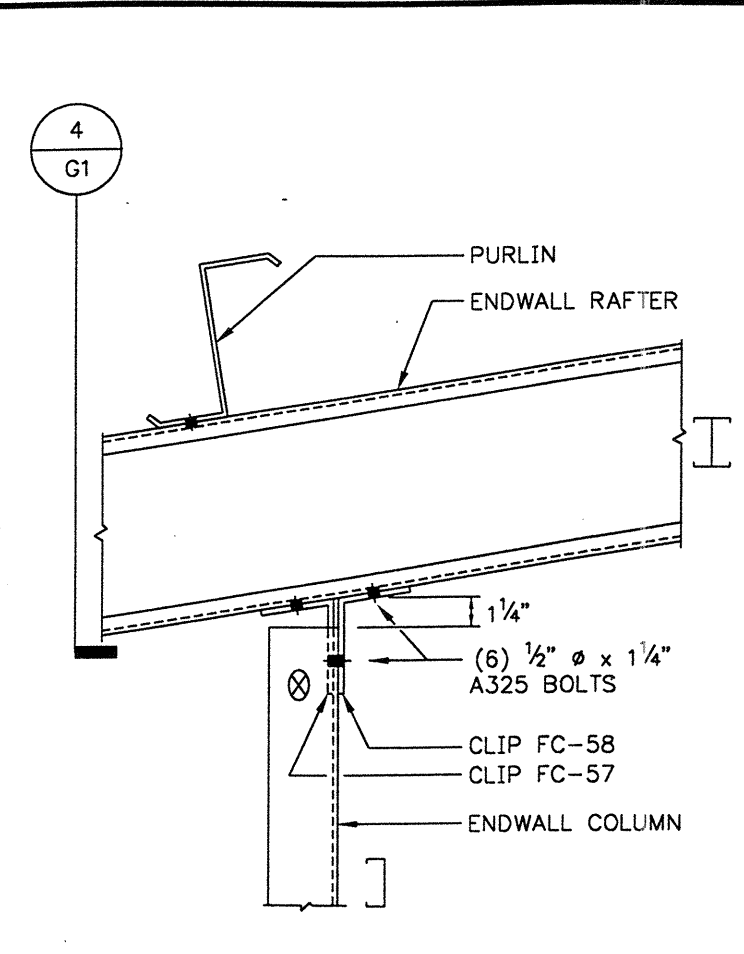
DPLU-BUILDING DIVISION
 OCT 17 2001
 County of San Diego
 Plan Check



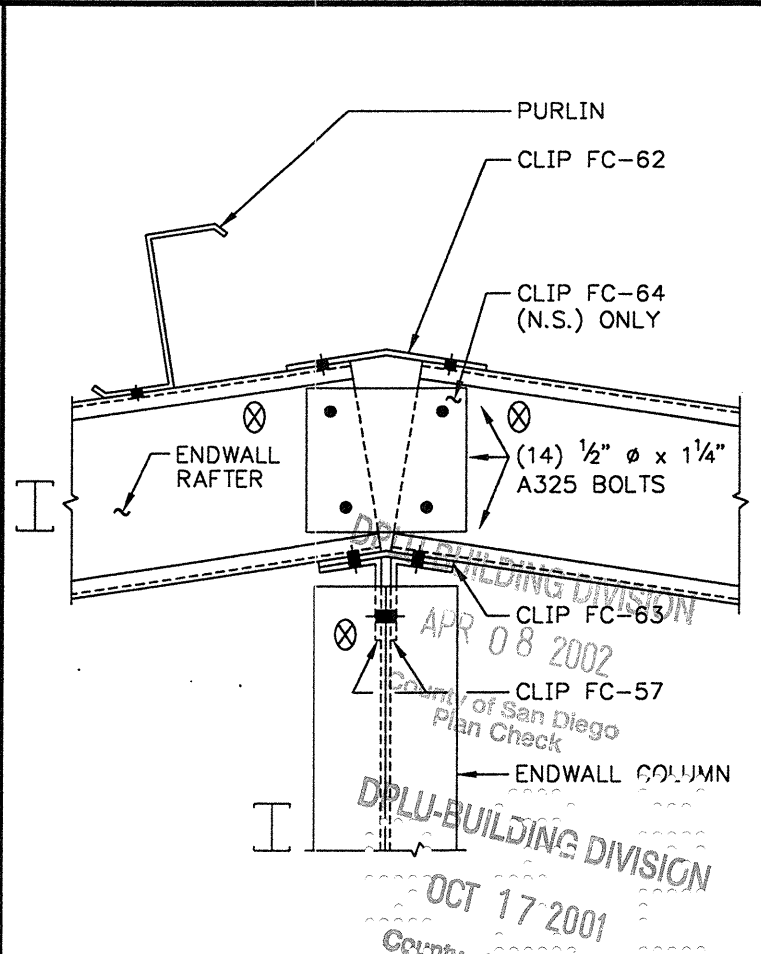
WEDGCOR INC.
 Buyer : MUELLER CONSTRUCTION Drawn By: WDA
 Cust. : ST. STEPHEN LUTHERAN 8-16-99
 Descr.: 60X45X12 1.00 :12 Check By: _____
 Site : FALLBROOK, CA
 Scale : NONE
 P.O. : W22581 SHEET NO. E9 OF 9



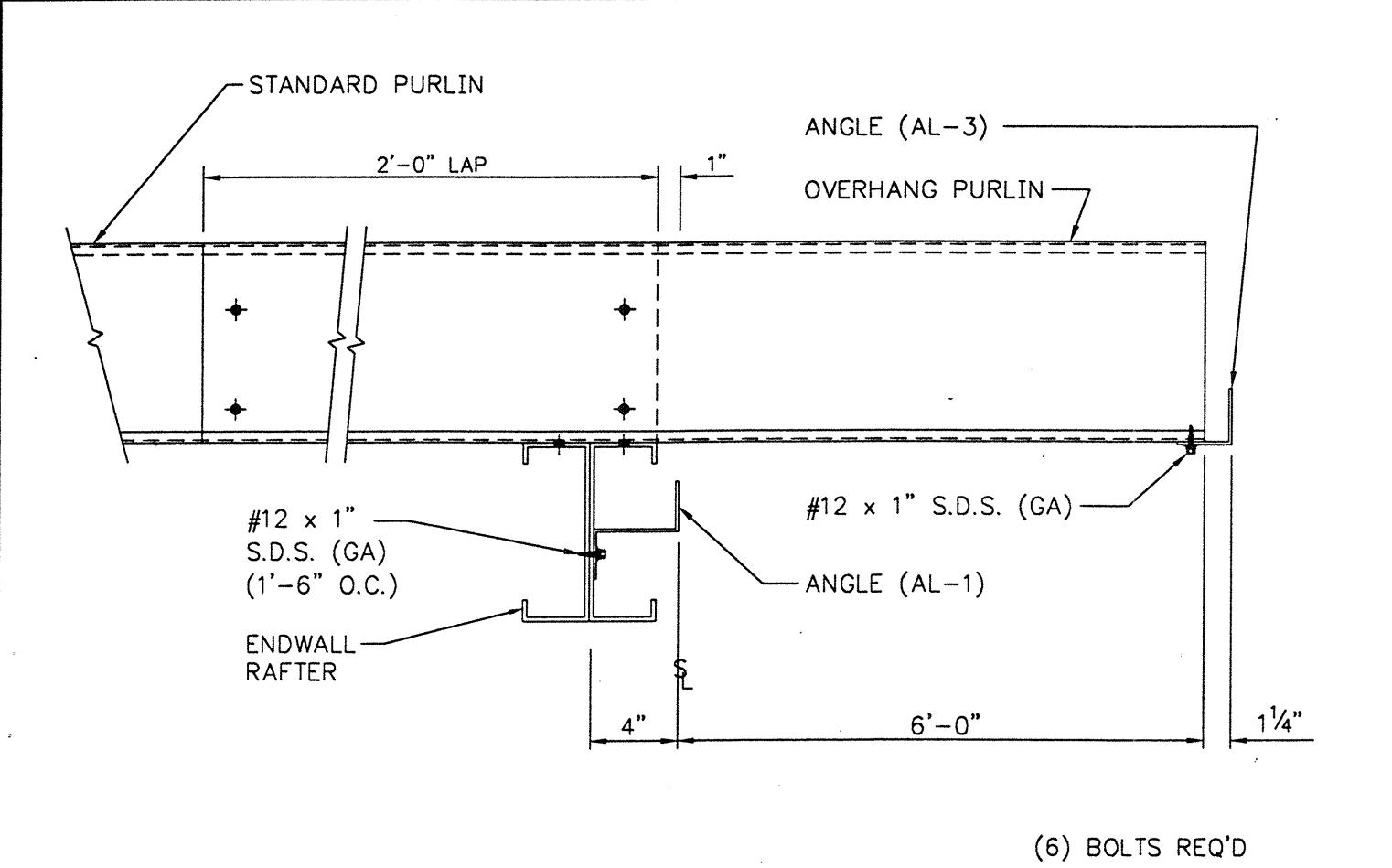
CORNER COL. TO ENDWALL RAFTER 1



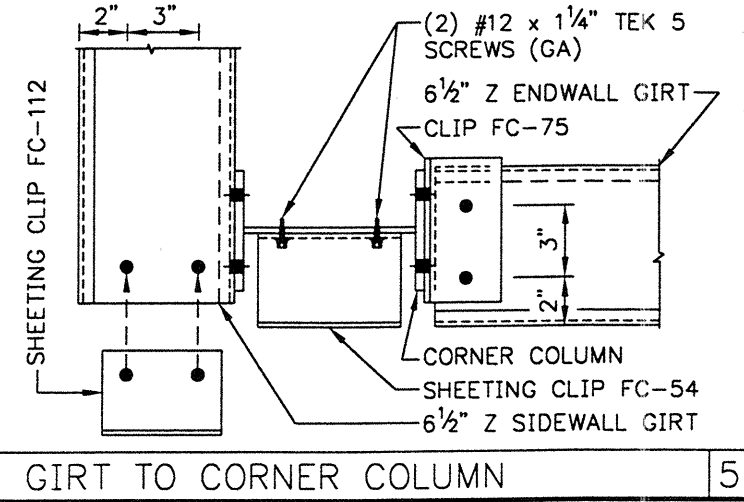
ENDWALL COL. TO ENDWALL RAFTER 2



PEAK DETAIL W/ CENTER COLUMN 3



OVERHANG FRAMING SECTION 4



GIRT TO CORNER COLUMN 5

GENERAL NOTES:

- 1.) ALL BOLTS TO BE 1/2" ϕ x 1/4" A307 (U.N.)
- 2.) VIEW IS FROM OUTSIDE OF BUILDING (U.N.)
- 3.) ALL DIMENSIONS ARE \pm .
- 4.) \otimes MATCH SHOP MARK.
- 5.) SEE CROSS SECTION OF MAIN FRAME FOR PURLIN ORIENTATION.
- 6.) DETAILS APPLY TO LINE ① ONLY.

△
△
△

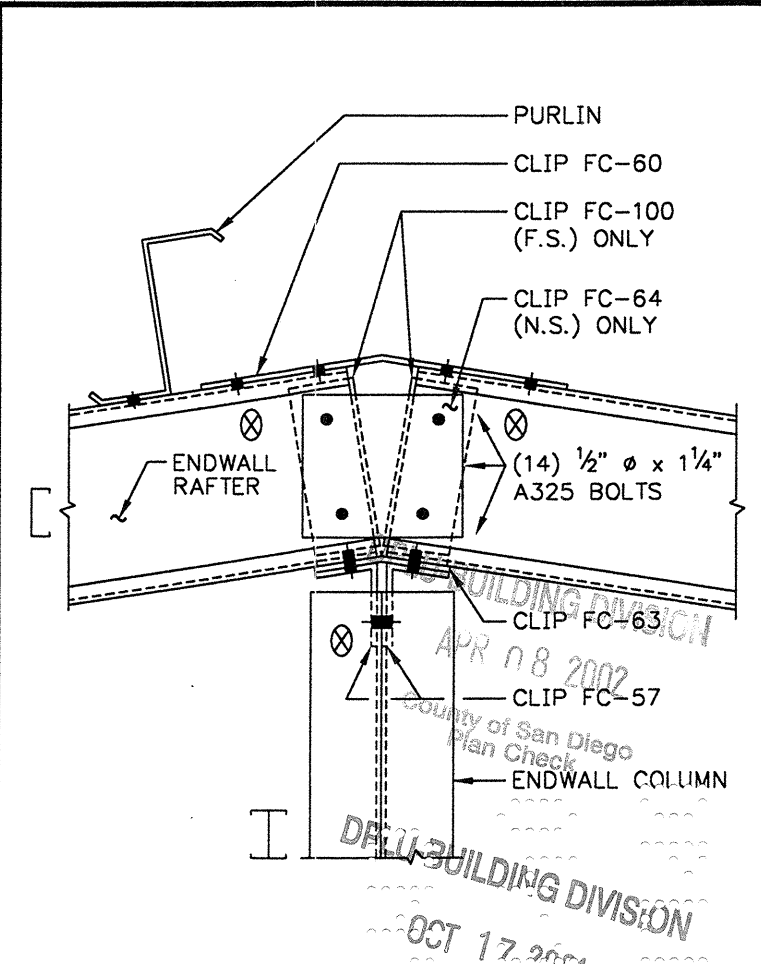
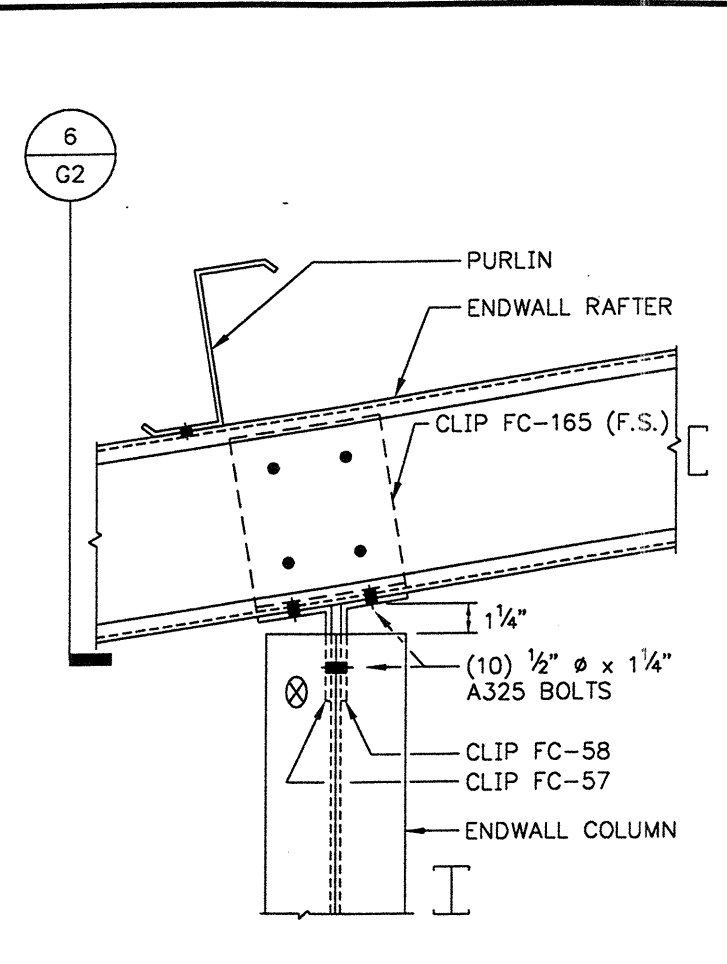
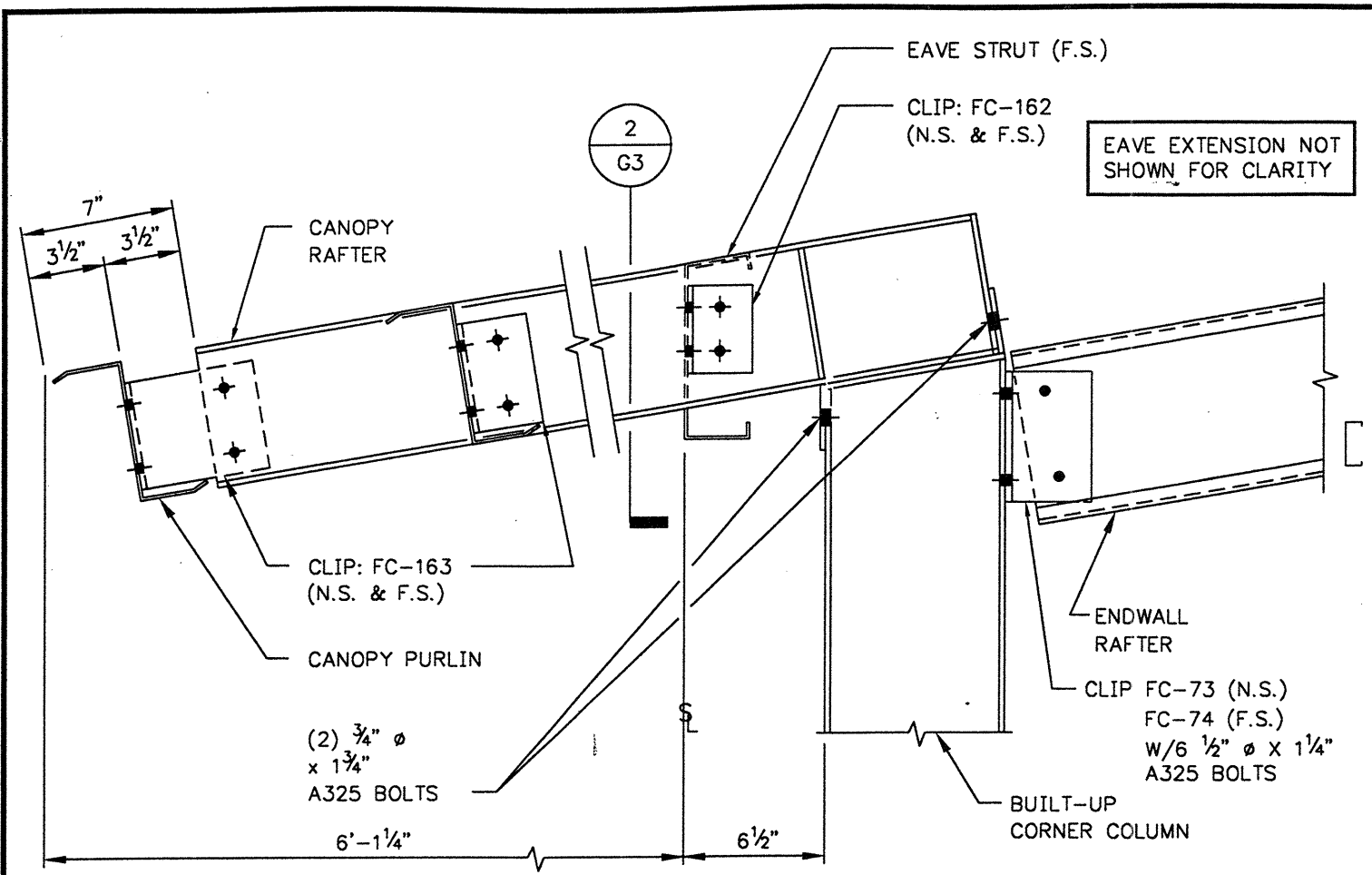


WEDGCOR INC.

Buyer : MUELLER CONSTRUCTION
Cust. : ST. STEPHEN LUTHERAN
Descr. : 60X45X12 1.00 :12
Site : FALLBROOK, CA
Scale : NONE
P.O. : W22581

Drawn By: WDA
8-16-99
Check By: _____

SHEET NO. G1 OF 9



CORNER COL. TO ENDWALL RAFTER

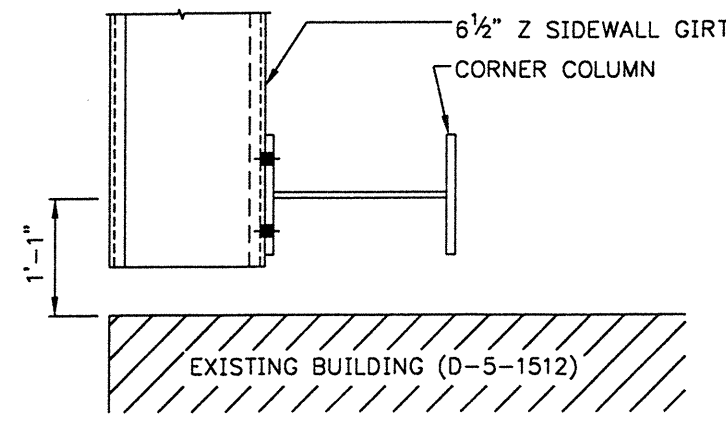
1

ENDWALL COL. TO ENDWALL RAFTER

2

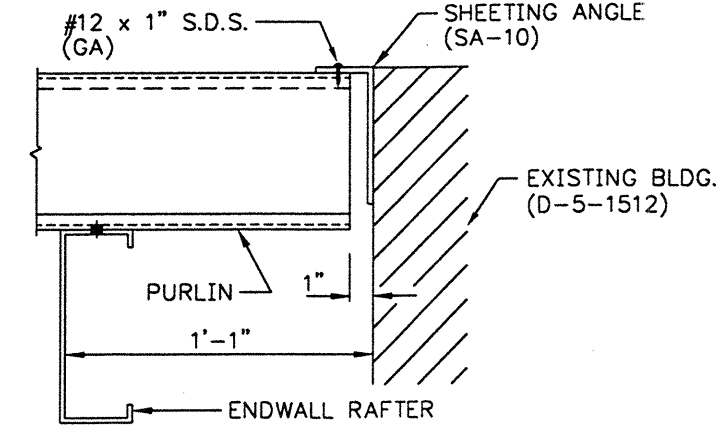
PEAK DETAIL W/ CENTER COLUMN

3



GIRTS TO CORNER COLUMN

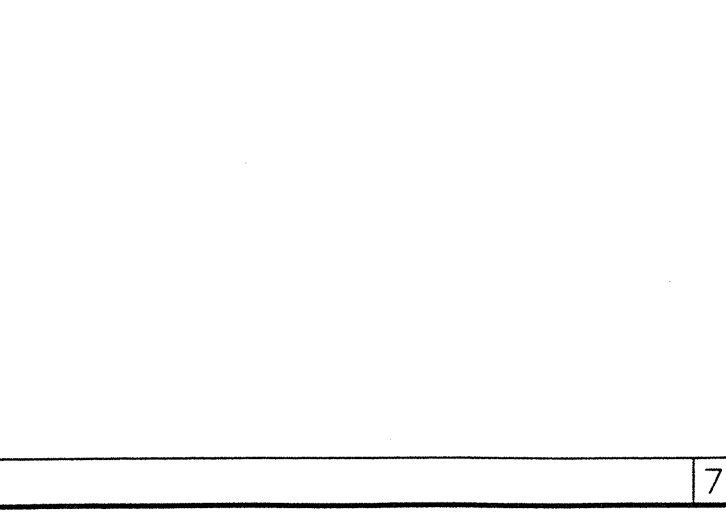
4



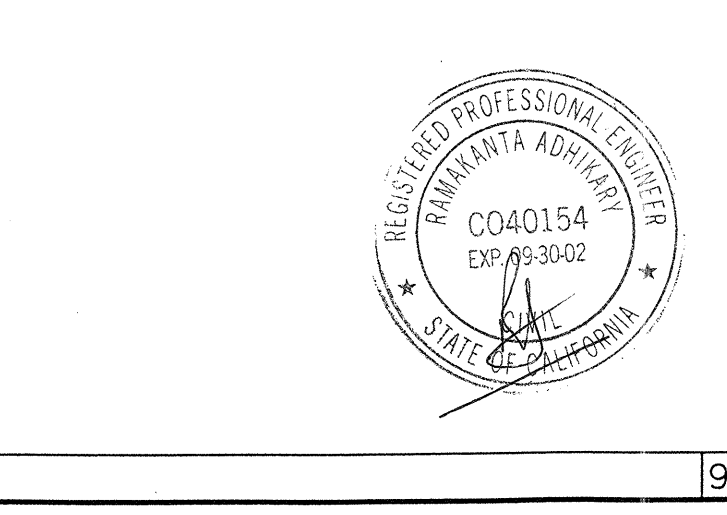
PURLIN TO ENDWALL RAFTER

6

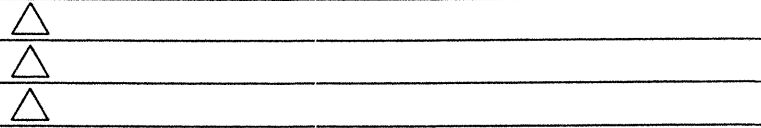
- GENERAL NOTES:
- 1.) ALL BOLTS TO BE 1/2" Ø x 1/4" A307 (U.N.)
 - 2.) VIEW IS FROM OUTSIDE OF BUILDING (U.N.)
 - 3.) ALL DIMENSIONS ARE ±.
 - 4.) ⊗ MATCH SHOP MARK.
 - 5.) SEE CROSS SECTION OF MAIN FRAME FOR PURLIN ORIENTATION.
 - 6.) DETAILS APPLY TO LINE ④ ONLY.



7



8

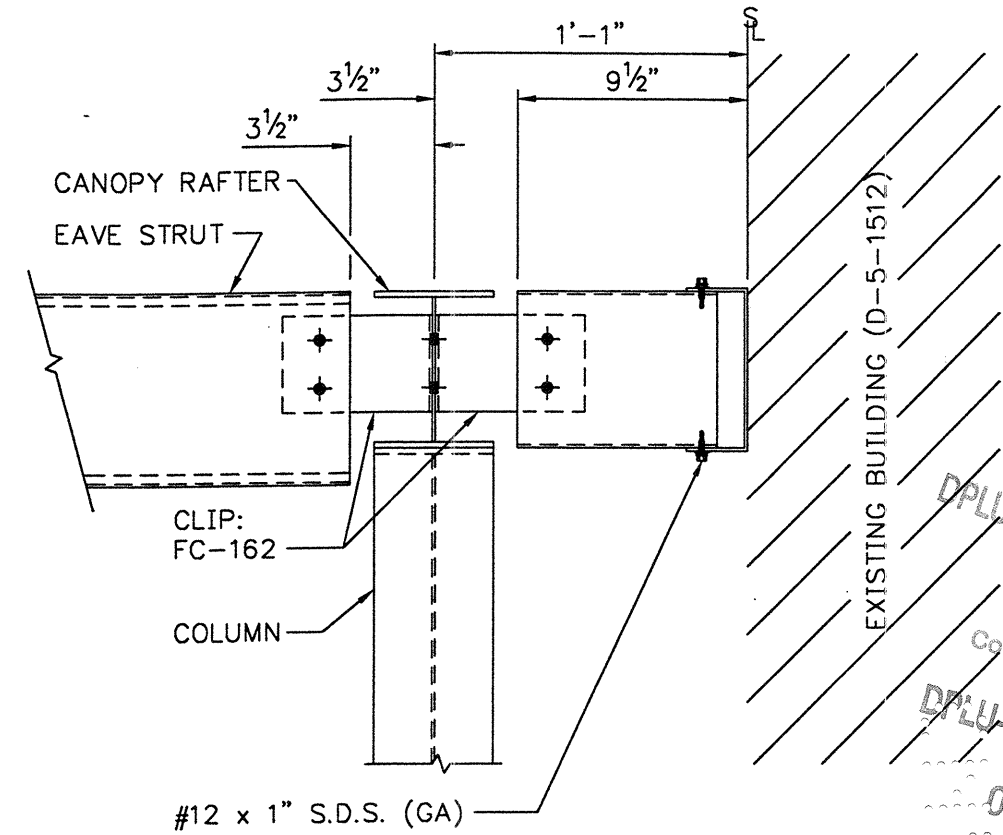
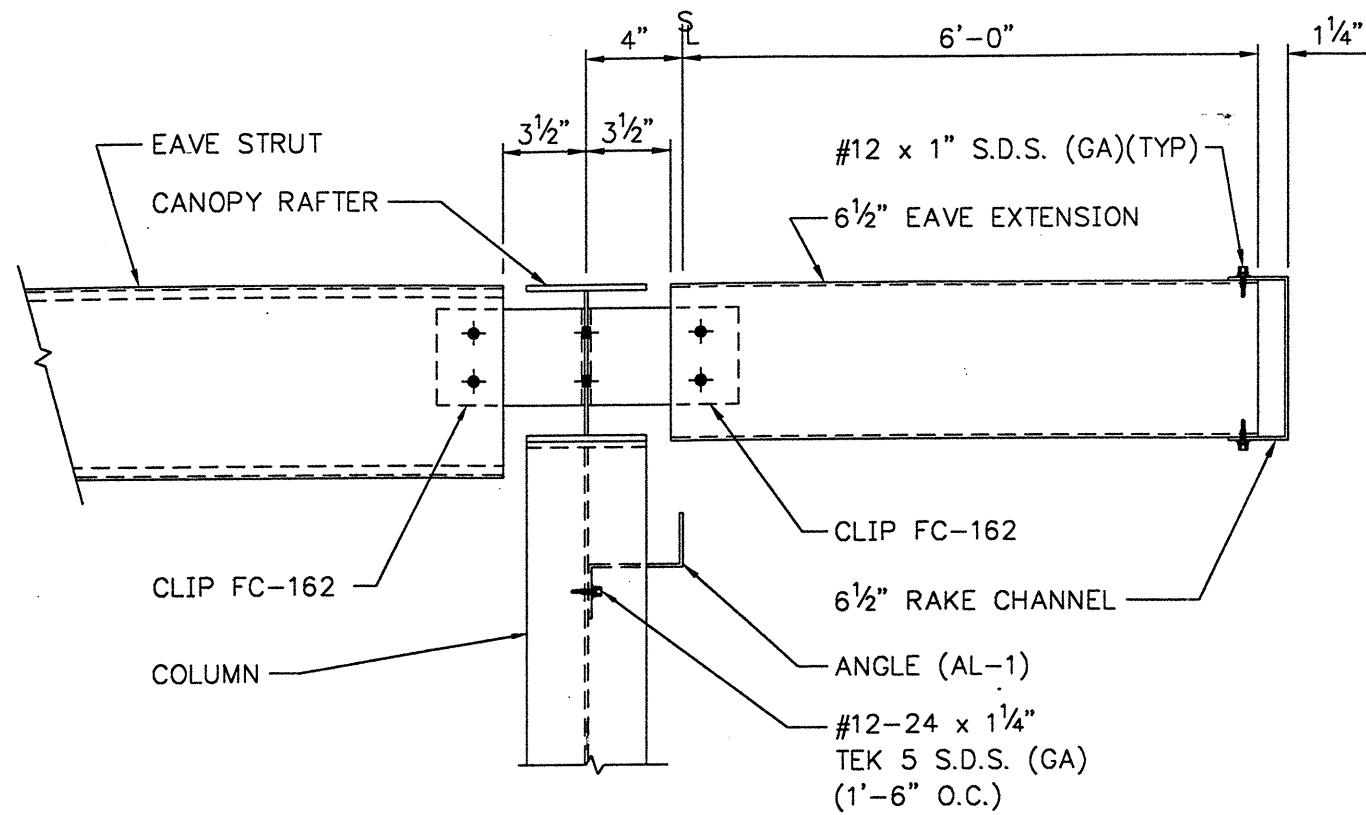


WEDGCOR INC.
 Buyer : MUELLER CONSTRUCTION
 Cust. : ST. STEPHEN LUTHERAN
 Descr.: 60X45X12 1.00 :12
 Site : FALLBROOK, CA
 Scale : NONE
 P.O. : W22581

Drawn By: WDA
8-16-99
 Check By: _____

SHEET NO. G2 OF 9

9



EXISTING BUILDING (D-5-1512)

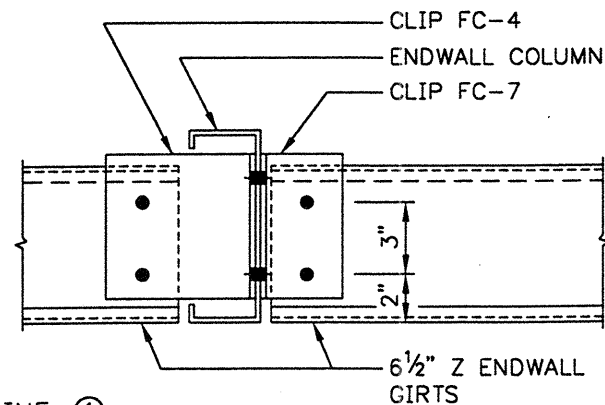
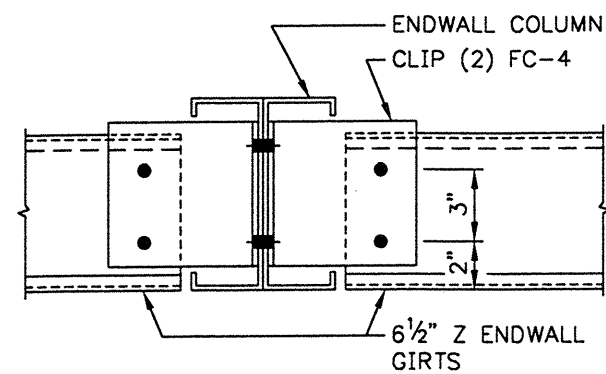
DPLU-BUILDING DIVISION
APR 08 2002
County of San Diego
Plan Check

DPLU-BUILDING DIVISION
OCT 17 2001
County of San Diego
Plan Check

AT LINE ①
EAVE EXTENSION FRAMING DETAIL

1 OVERHANG FRAMING SECTION (6 1/2" PURLINS)

2

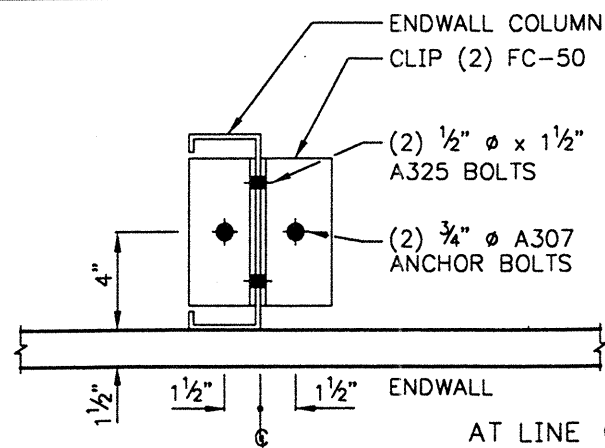
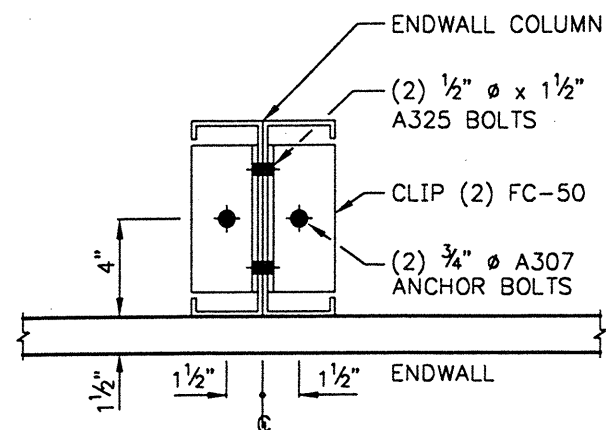


GIRT TO ENDWALL COLUMN

3 GIRT TO ENDWALL COLUMN

4

5



ENDWALL COLUMN BASE DETAIL

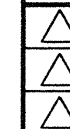
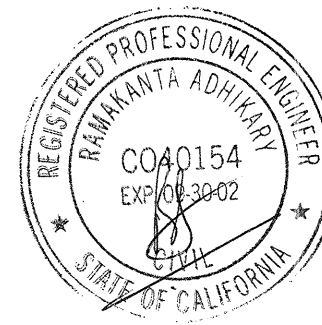
6 ENDWALL COLUMN BASE DETAIL

7

8

GENERAL NOTES:

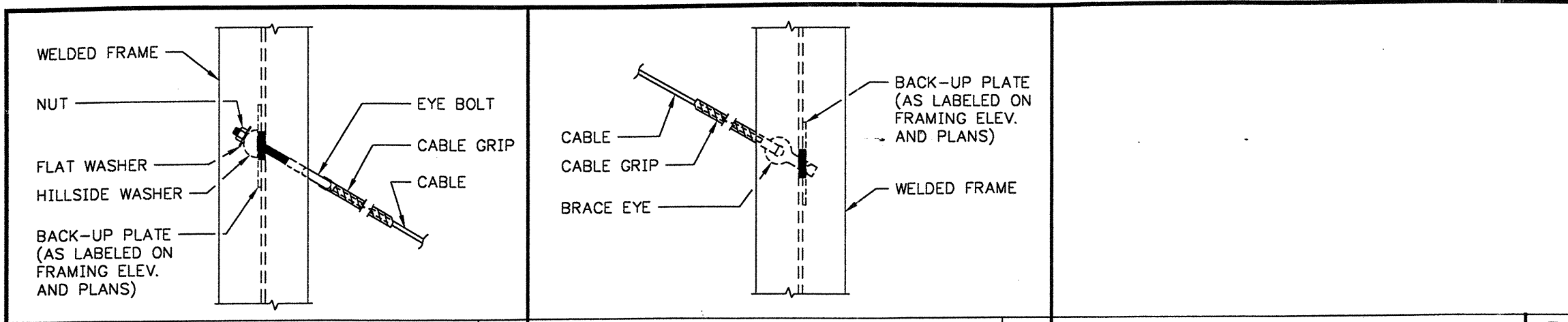
- 1.) ALL BOLTS TO BE 1/2" ϕ x 1 1/4" A307 (U.N.)
- 2.) VIEW IS FROM OUTSIDE OF BUILDING (U.N.)
- 3.) ALL DIMENSIONS ARE \pm .
- 4.) \otimes MATCH SHOP MARK.
- 5.) SEE CROSS SECTION OF MAIN FRAME FOR PURLIN ORIENTATION.
- 6.) DETAILS APPLY TO BOTH ENDWALLS (U.N.).



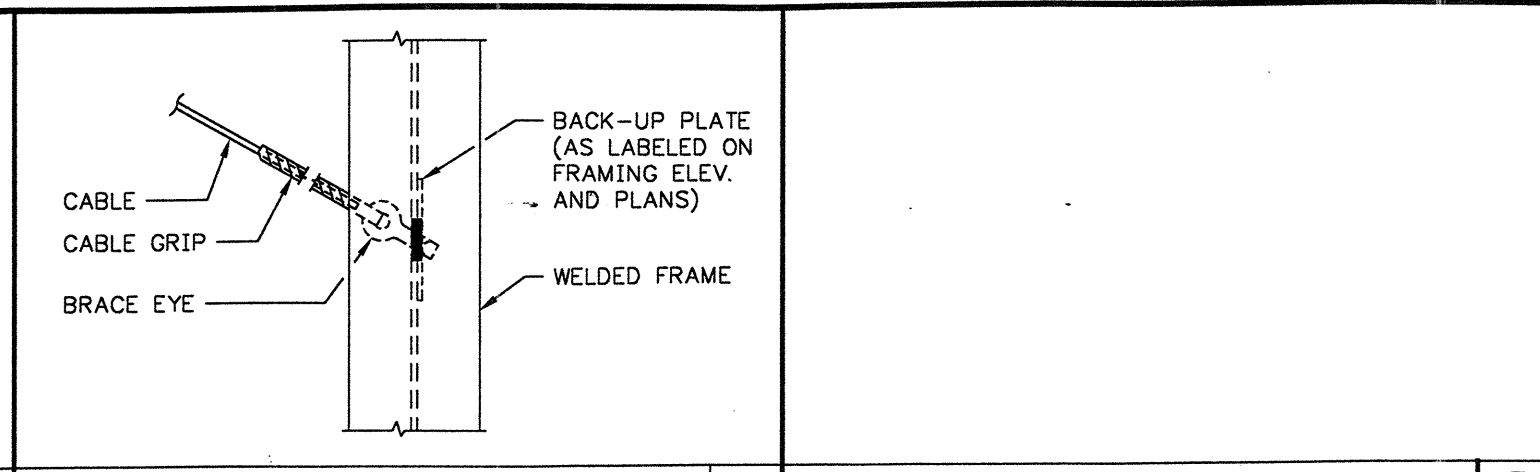
WEDGCOR INC.
 Buyer : MUELLER CONSTRUCTION
 Cust. : ST. STEPHEN LUTHERAN
 Descr. : 60X45X12 1.00 :12
 Site : FALLBROOK, CA
 Scale : NONE
 P.O. : W22581

Drawn By: WDA
 8-16-99
 Check By: _____

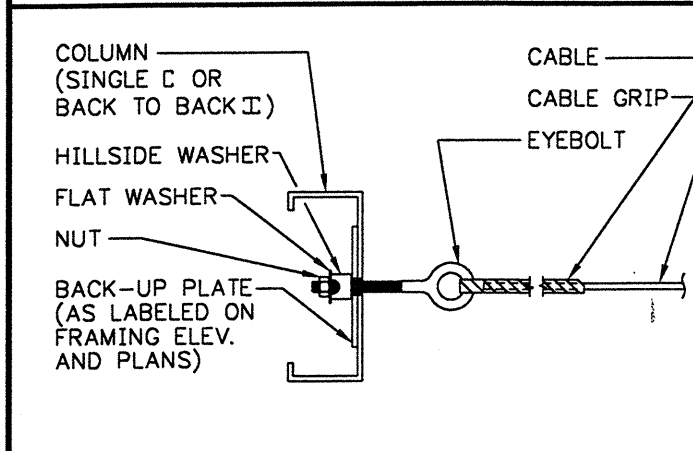
SHEET NO. 43 OF 9



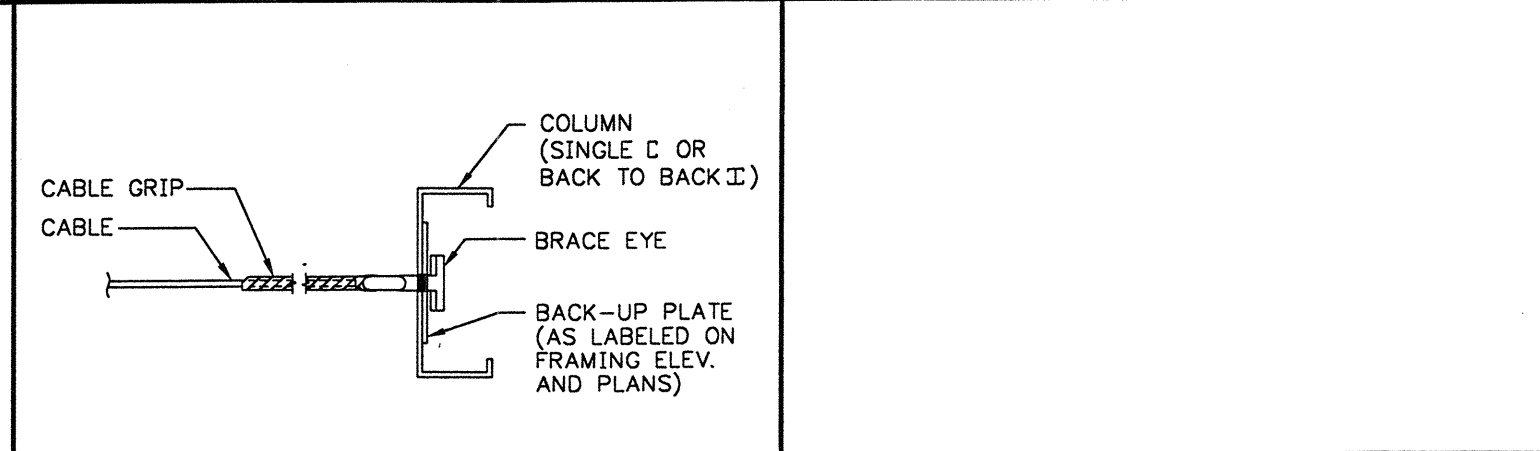
BRACING AT WELDED FRAME 1



BRACING AT WELDED FRAME 2



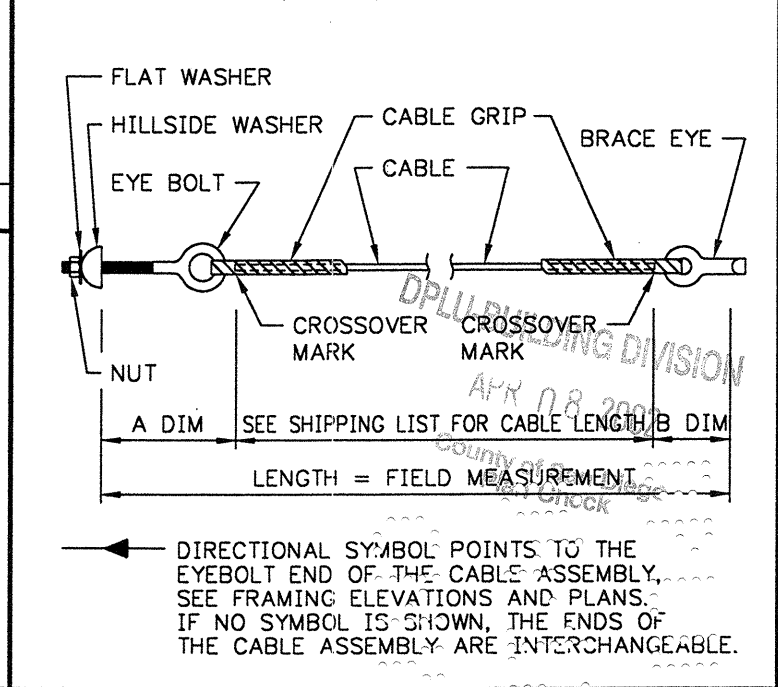
BRACING AT COLUMN 4



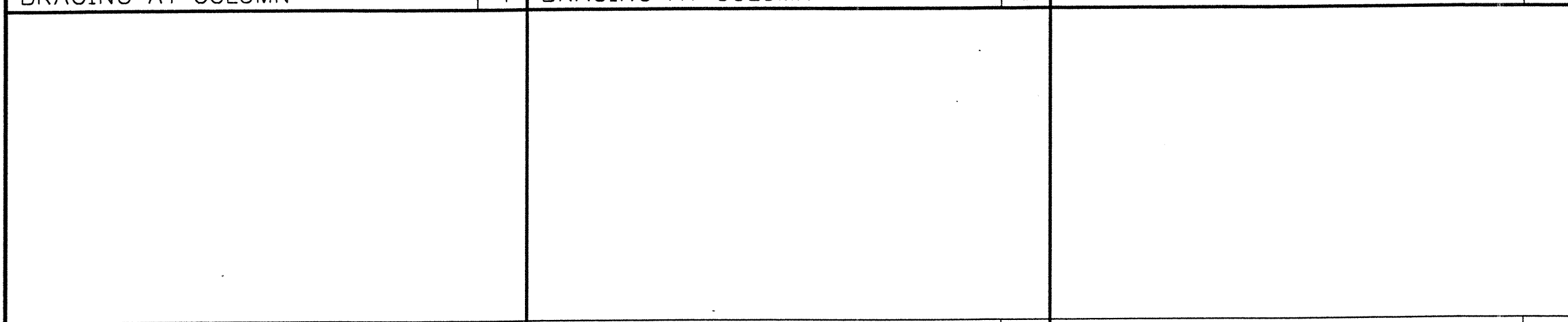
BRACING AT COLUMN 5

REF. "A"

CABLE Ø	5/16"	3/8"	1/2"
EYE BOLT "A" DIM.	5/8"	3/4"	7/8"
"B" DIM.	11"	14"	14"
TOTAL (-)	17"	18"	23"



CABLE BRACING ASSEMBLY 6



7

8

9

GENERAL NOTES:
 1.) ALL BOLTS TO BE 1/2" Ø x 1-1/4" A307 (U.N.)
 2.) VIEW IS FROM OUTSIDE OF BUILDING (U.N.)
 3.) ALL DIMENSIONS ARE ±.

DPLU-BUILDING DIVISION
 OCT 17 2001
 County of San Diego
 Plan Check



△
 △
 △

WEDGCOR INC.
 Buyer : MUELLER CONSTRUCTION
 Cust. : ST. STEPHEN LUTHERAN
 Descr. : 60X45X12 1.00 :12
 Site : FALLBROOK, CA
 Scale : NONE
 P.O. : W22581

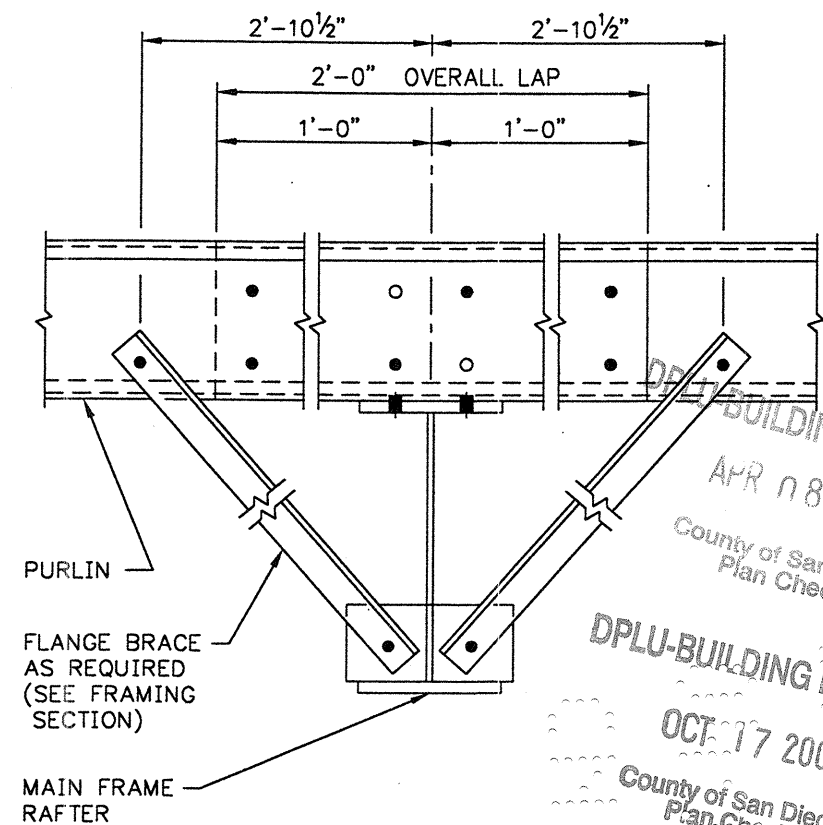
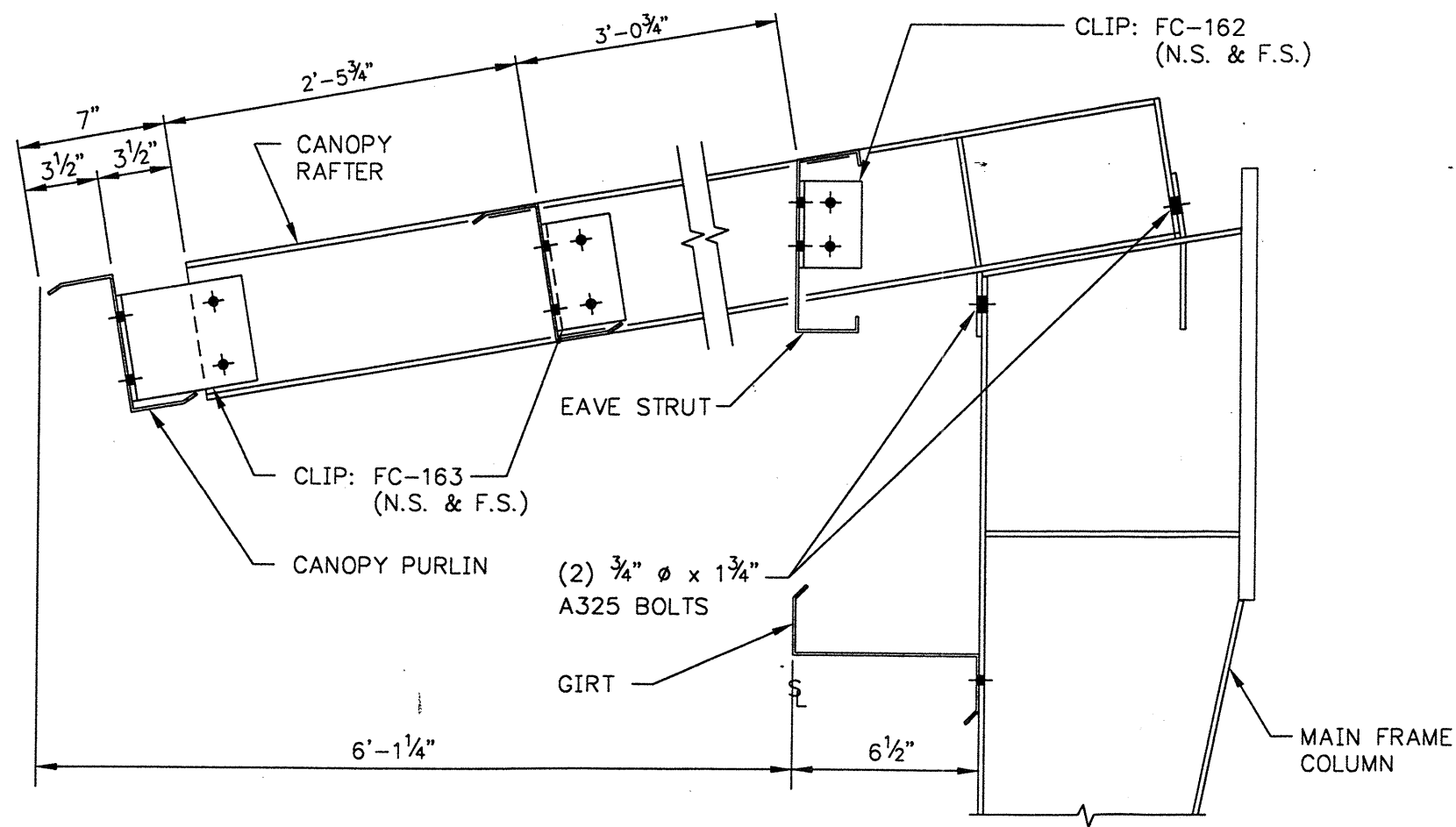
Drawn By: WDA
 8-16-99
 Check By: _____

SHEET NO. 64 OF 9

10

11

12

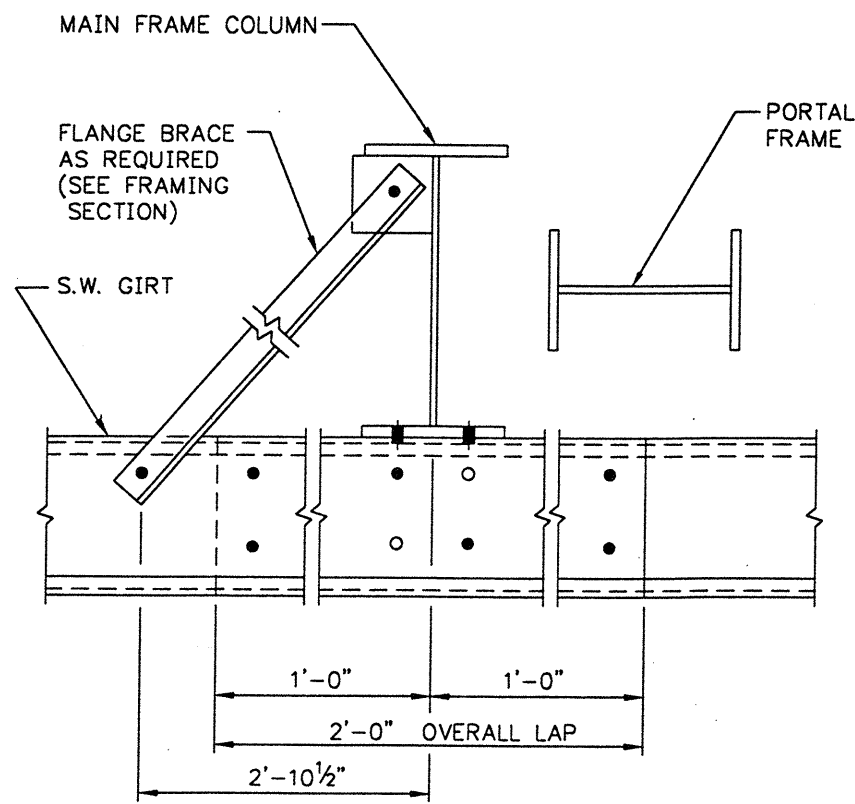


DPLU-BUILDING DIVISION
 APR 08 2002
 County of San Diego
 Plan Check
 DPLU-BUILDING DIVISION
 OCT 17 2001
 County of San Diego
 Plan Check

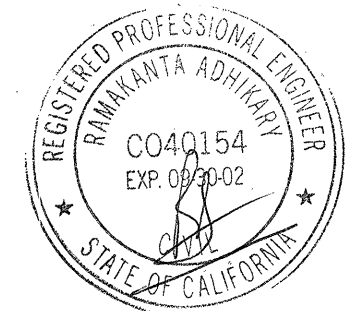
(8) BOLTS W/O FLANGE BRACE, (12) BOLTS W/ FLANGE BRACE

MF TO EAVE STRUT (6-1/2 Z GIRTS)

PURLIN OVERLAP



GENERAL NOTES:
 1.) ALL BOLTS TO BE 1/2" ϕ x 1-1/4" A307 (U.N.)
 2.) VIEW IS FROM OUTSIDE OF BUILDING (U.N.)
 3.) ALL DIMENSIONS ARE \pm .



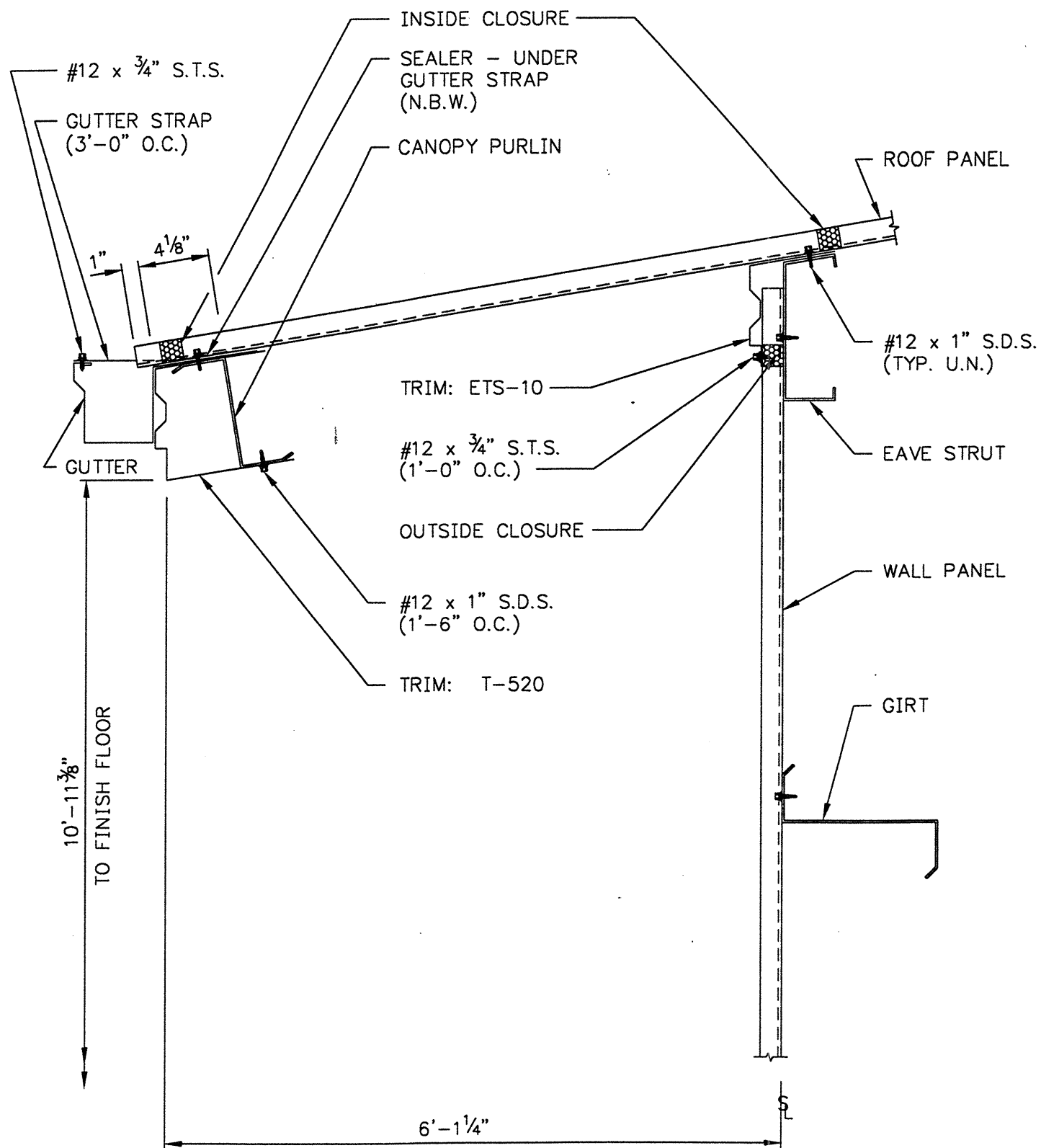
WEDGCOR INC.	
Buyer : MUELLER CONSTRUCTION	Drawn By: WDA
Cust. : ST. STEPHEN LUTHERAN	8-16-99
Descr.: 60X45X12 1.00 :12	Check By: _____
Site : FALLBROOK, CA	
Scale : NONE	
P.O. : W22581	SHEET NO. 65 OF 9

(8) BOLTS W/O FLANGE BRACE, (12) BOLTS W/ FLANGE BRACE.

GIRT OVERLAP

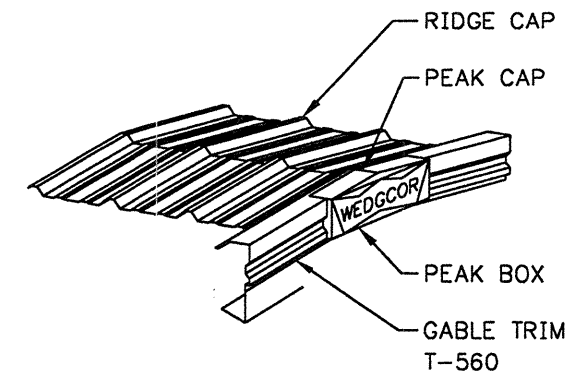
3

4

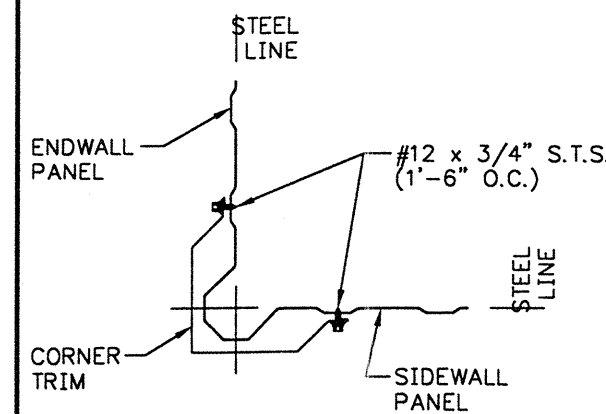


EAVE CANOPY SHEETING / TRIM SECTION w/ GUTTER (6 1/2" PURLINS)

1



2 PEAK DETAIL



4 CORNER TRIM DETAIL

DPLU-BUILDING DIVISION 3

APR 08 2002

County of San Diego
Plan Check

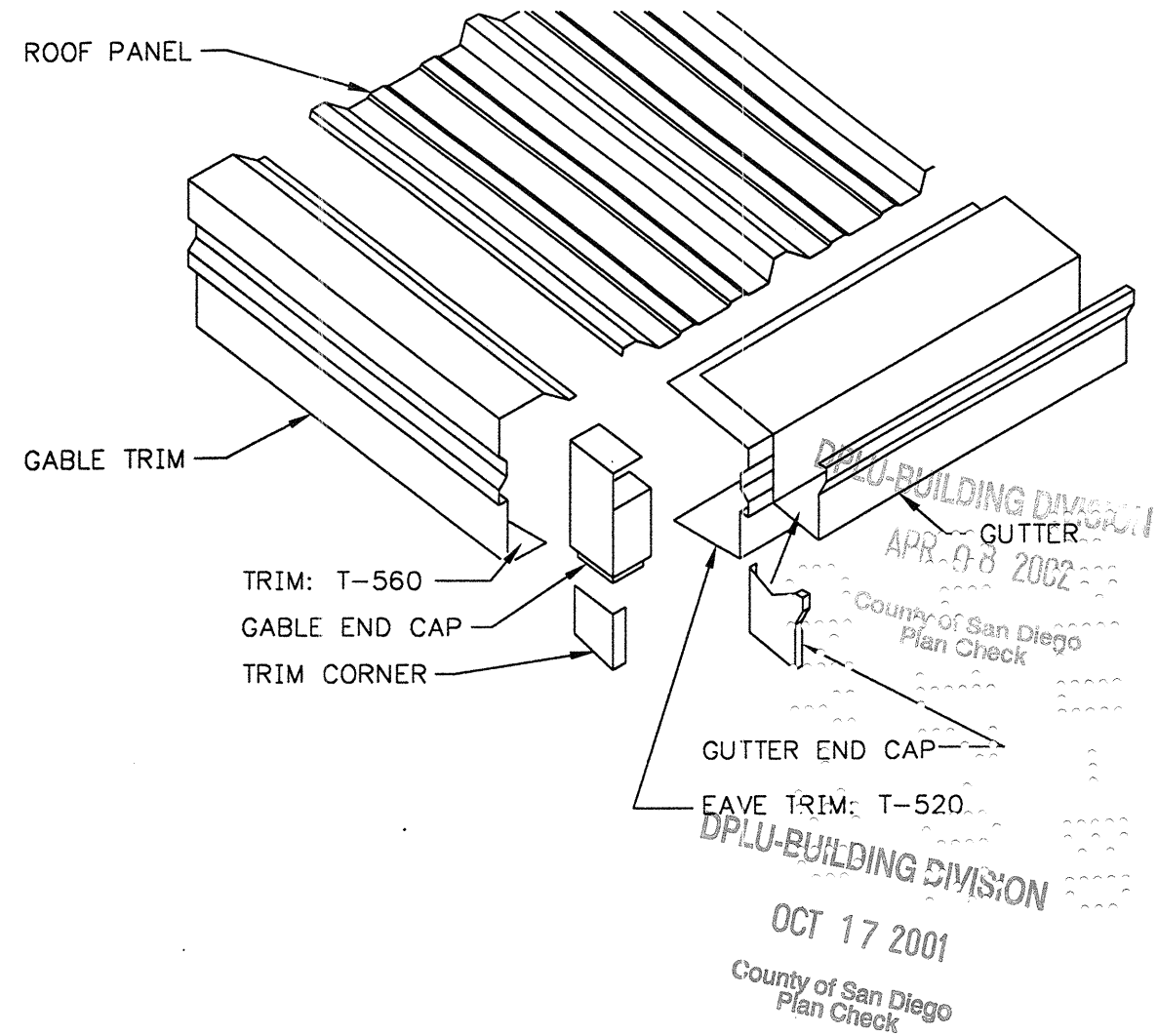
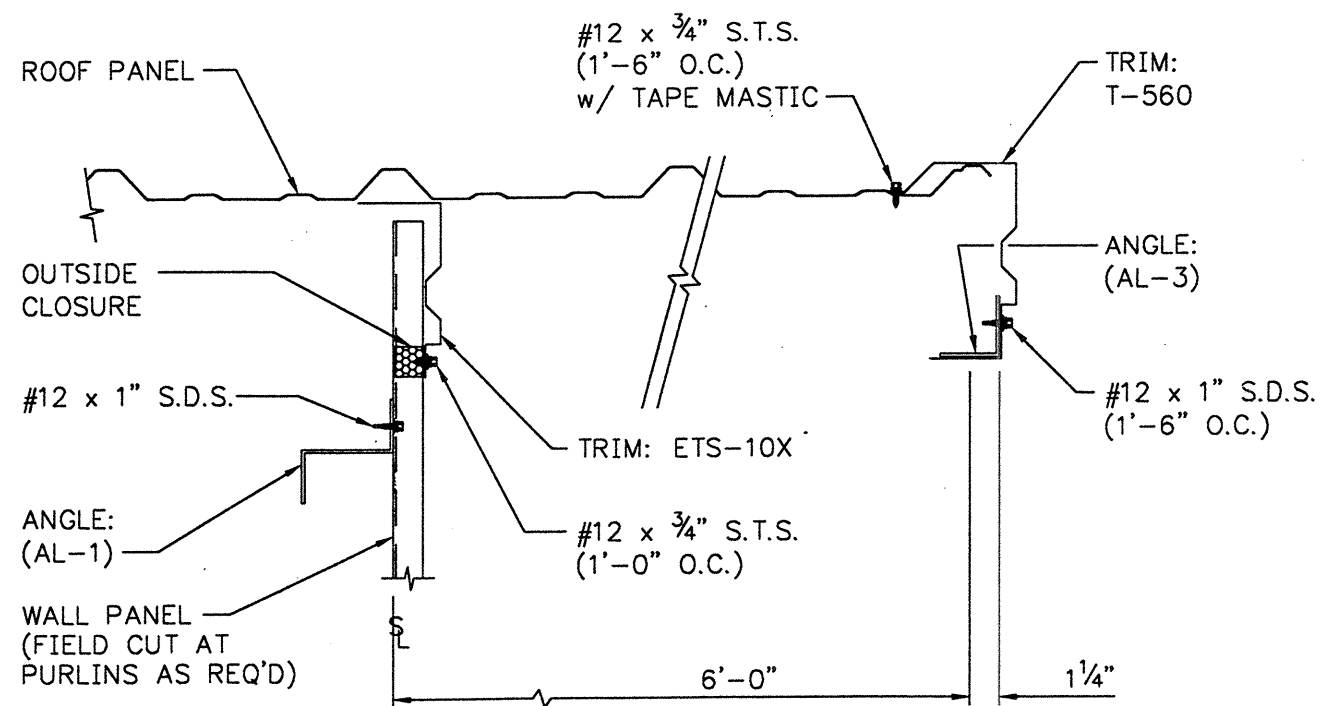
DPLU-BUILDING DIVISION

OCT 17 2001

County of San Diego
Plan Check



△		
△		
△		
WEDGCOR INC.		
Buyer : MUELLER CONSTRUCTION	Drawn By: WDA	
Cust. : ST. STEPHEN LUTHERAN	8-16-99	
Descr. : 60X45X12 1.00 :12	Check By: _____	
Site : FALLBROOK, CA		
Scale : NONE		
P.O. : W22581		
		SHEET NO. 66 OF 9

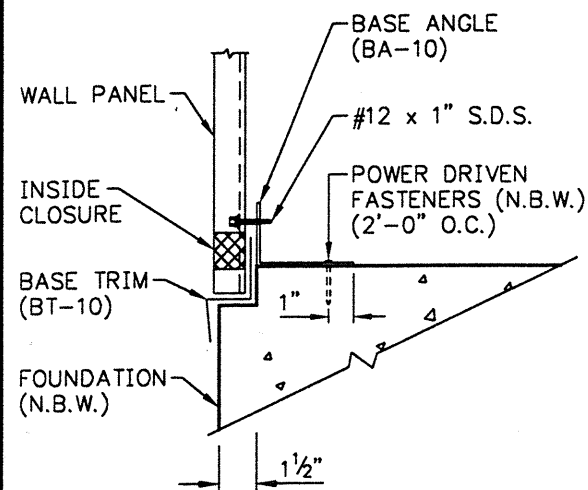


OVERHANG SHEETING / TRIM SECTION (6 1/2" PURLINS)

1

CORNER TRIM DETAIL w/ GUTTER

2



BASE TRIM SECTION

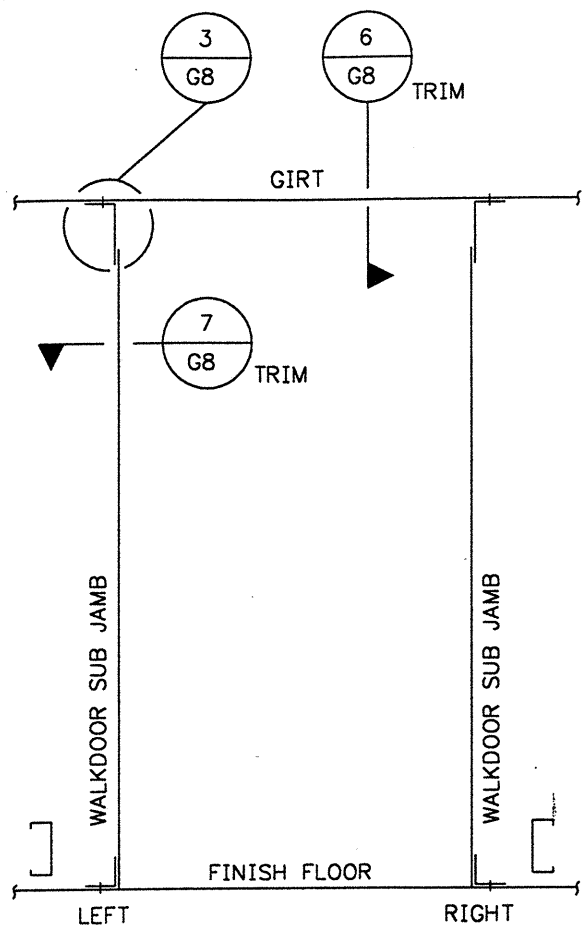
3

4

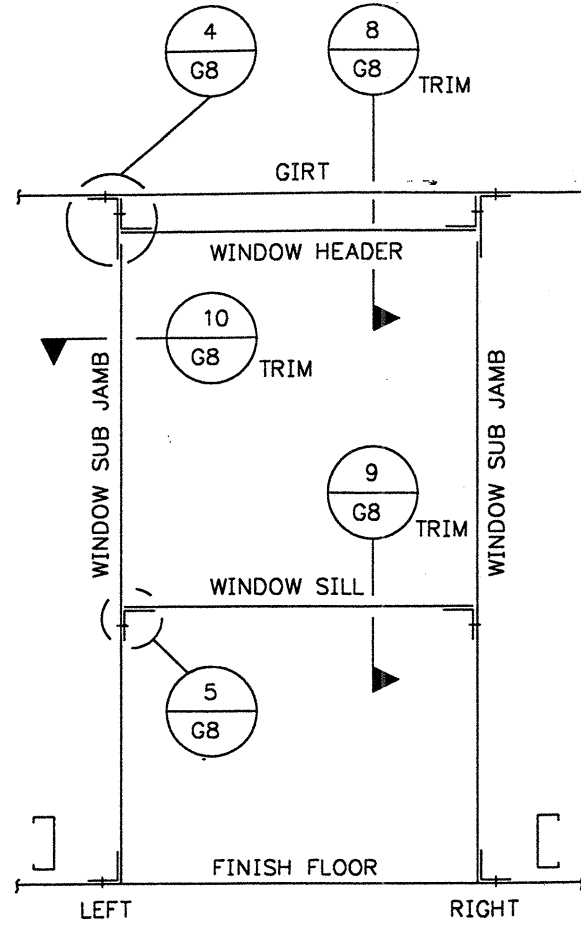
5



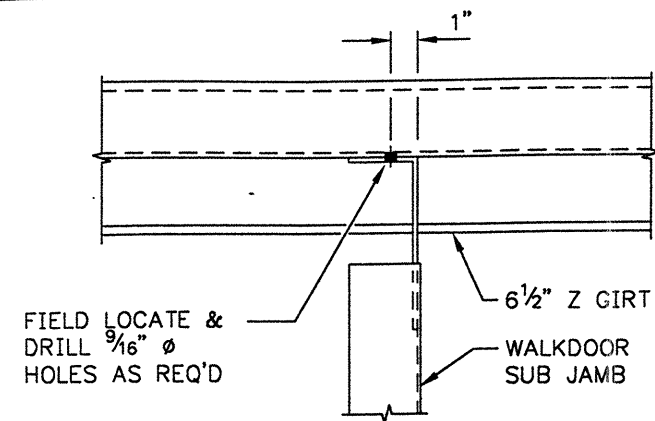
△	
△	
△	
WEDGCOR INC.	
Buyer : MUELLER CONSTRUCTION	Drawn By: <u>WDA</u>
Cust. : ST. STEPHEN LUTHERAN	<u>8-16-99</u>
Descr. : 60X45X12 1.00 :12	Check By: _____
Site : FALLBROOK, CA	
Scale : NONE	
P.O. : W22581	SHEET NO. 61 OF 9



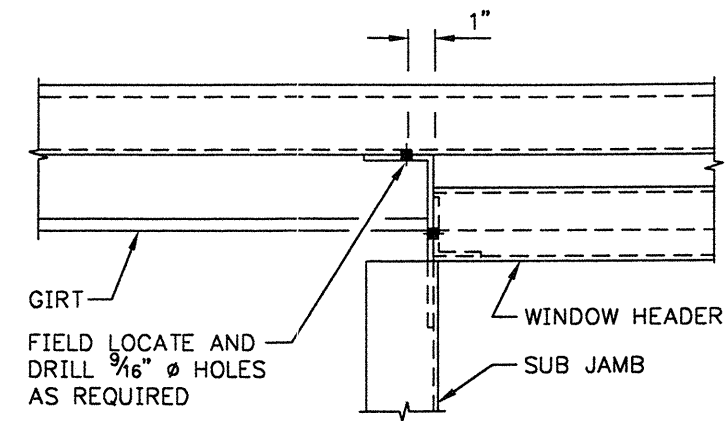
WALKDOOR SUBJAMB TO GIRT 1



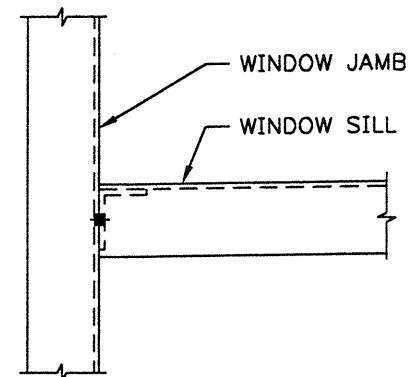
WINDOW SUBJAMB TO GIRT 2



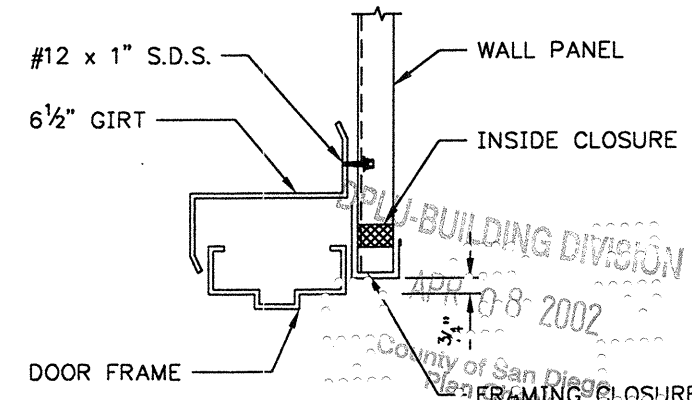
WALKDOOR SUBJAMB TO GIRT 3



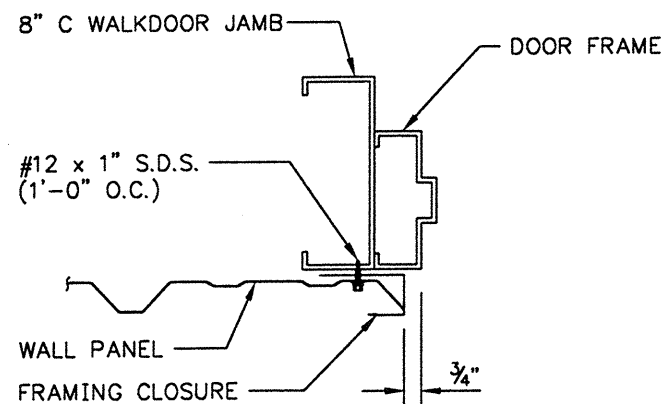
WINDOW SUBJAMB TO GIRT 4



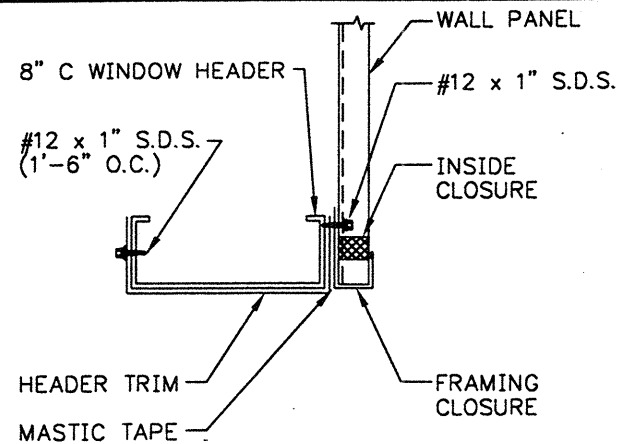
WINDOW SILL TO WINDOW JAMB 5



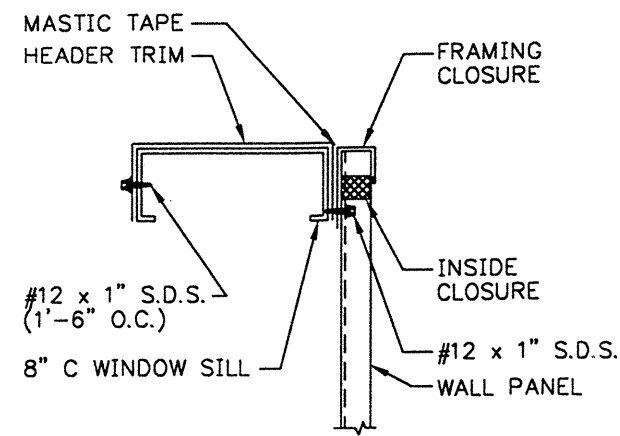
WALKDOOR HEADER FRAMING CLOSURE 6



WALKDOOR JAMB TRIM 7

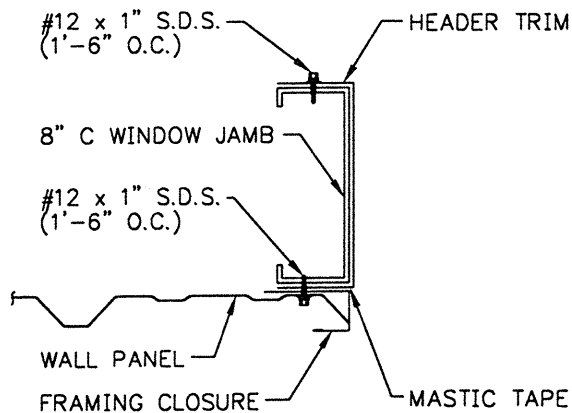


WINDOW HEADER TRIM 8



WINDOW SILL TRIM 9

- GENERAL NOTES:**
- 1) ALL BOLTS TO BE 1/2" x 1-1/4" A307 (U.N.)
 - 2) VIEWS ARE FROM OUTSIDE OF BUILDING (U.N.)
 - 3) ALL DIMENSIONS ARE ±.
 - 4) REFER TO ANCHOR BOLT PLAN DETAILS FOR FIELD LOCATING JAMBS.



WINDOW JAMB TRIM 10



11

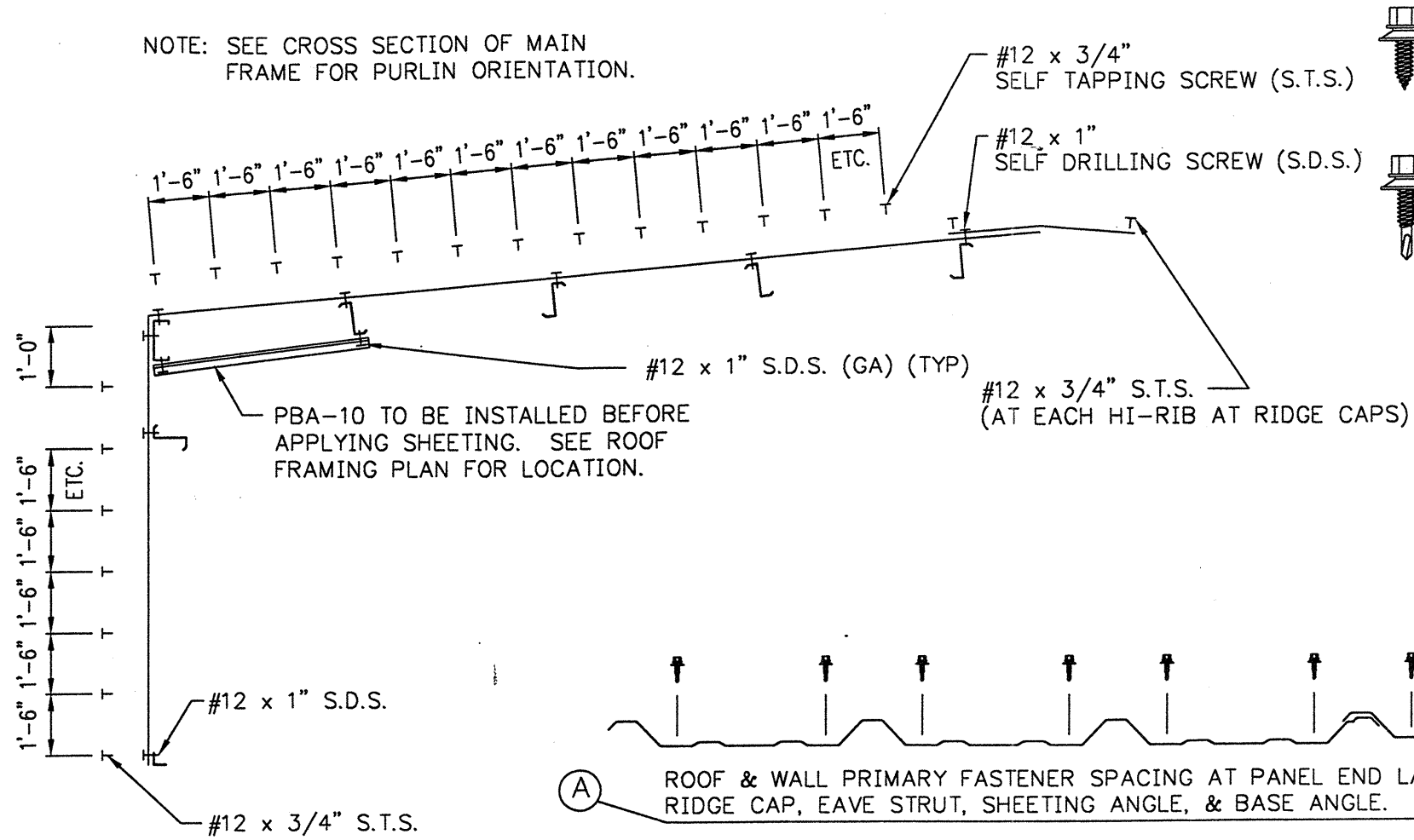
12

WEDGCOR INC.
 Buyer : MUELLER CONSTRUCTION
 Cust. : ST. STEPHEN LUTHERAN
 Descr. : 60X45X12 1.00 :12
 Site : FALLBROOK, CA
 Scale : NONE
 P.O. : W22581

Drawn By: WDA
 8-16-99
 Check By: _____

SHEET NO. 08 OF 9

NOTE: SEE CROSS SECTION OF MAIN FRAME FOR PURLIN ORIENTATION.



PBA-10 TO BE INSTALLED BEFORE APPLYING SHEETING. SEE ROOF FRAMING PLAN FOR LOCATION.

#12 x 3/4" S.T.S. (AT EACH HI-RIB AT RIDGE CAPS)

#12 x 1" S.D.S. (GA) (TYP)

#12 x 1" S.D.S.

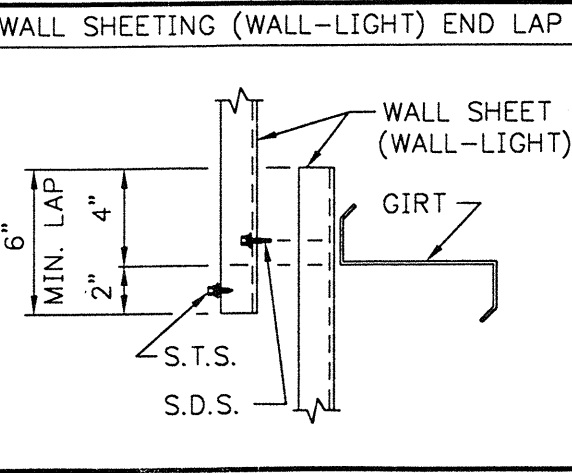
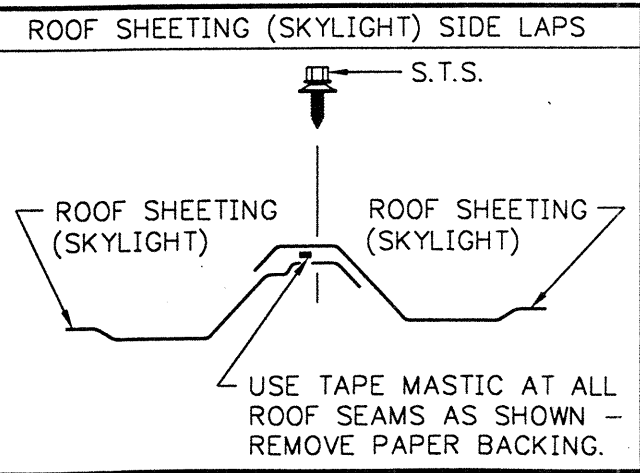
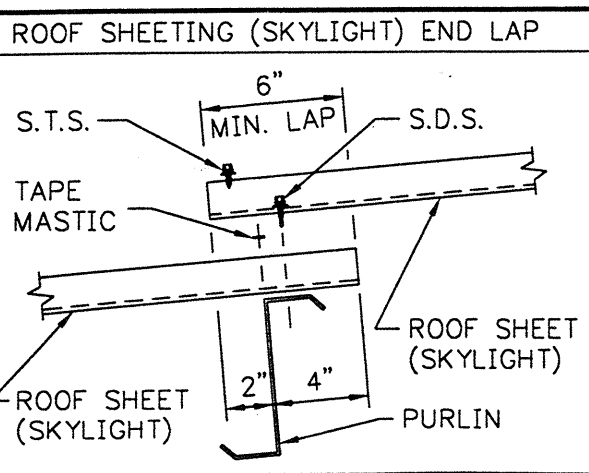
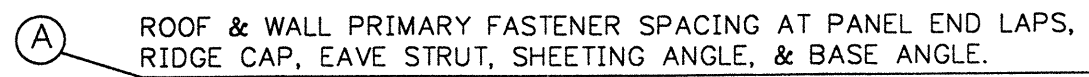
#12 x 3/4" S.T.S.

NOTE: SELF DRILLING SCREW PATTERNS

NON-INSULATED BUILDINGS:
USE PATTERNS (A) & (B).

INSULATED BUILDINGS:
USE PATTERN (A) ONLY.
(WHEN INSULATING BETWEEN THE SHEETING AND RED IRON.)

4" OR MORE OF INSULATION REQUIRES SCREWS LONGER THAN 1". PLEASE ADVISE WEDGCOR IF LONGER SCREWS WERE NOT PURCHASED.

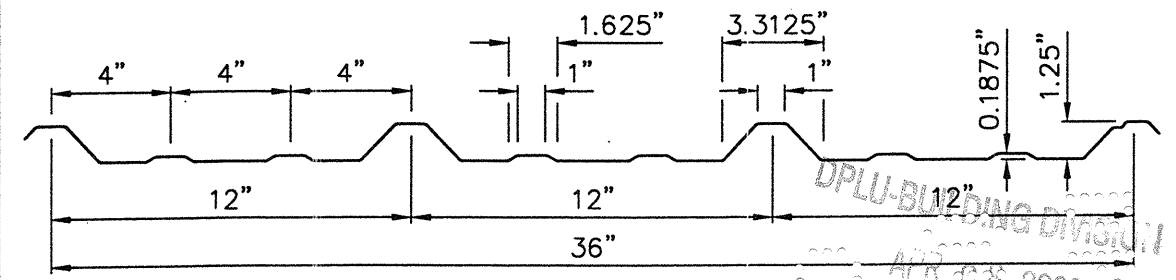


SHEETING DESCRIPTION

ROOF SHEETING	26 GA.	COLOR	PLEASE ADVISE
SCREW TYPE:	<input checked="" type="checkbox"/> STANDARD	<input type="checkbox"/> STAINLESS STEEL	<input type="checkbox"/> OTHER
WALL SHEETING	26 GA.	COLOR	PLEASE ADVISE
SCREW TYPE:	<input checked="" type="checkbox"/> STANDARD	<input type="checkbox"/> STAINLESS STEEL	<input type="checkbox"/> OTHER
TRIM COLOR	WHITE (WH)		
PARTITION SHEETING	N/A GA.	COLOR	N/A
LINER PANEL	N/A GA.	COLOR	N/A
SOFFIT PANEL	N/A GA.	COLOR	N/A

OTHER ACCESSORIES

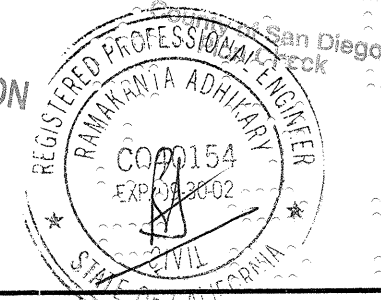
HI-RIB PANEL SECTION



DPLU-BUILDING DIVISION

OCT 17 2001

County of San Diego
Plan Check



LEGEND

C- MAIN FRAME COLUMN	FC- FRAMING CLIP	CL- CENTER LINE
RB- MAIN FRAME RAFTER	CL- SPECIAL CLIP	N.A. NOT APPLICABLE
CC- CORNER COLUMN	RC- RIDGE CAP	F.S. FAR SIDE
EC- ENDWALL COLUMN	RS- ROOF SHEET	N.S. NEAR SIDE
ER- ENDWALL RAFTER	SW- SIDEWALL	N.B.W. NOT BY WEDGCOR
DJ- DOOR JAMB	EW- ENDWALL	O.C. ON CENTER
DH- DOOR HEADER	FTC- FRAMING CLOSURE	SL- STEEL LINE
G- GIRT	T- TRIM	O.H. OPPOSITE HAND
P- PURLIN	TR- SPECIAL TRIM	TYP. TYPICAL
ES- EAVE STRUT	A.S. AS SHOWN	U.N. UNLESS NOTED

CABLE SIZES

RCB- ROOF CABLE BRACING	<input type="checkbox"/> NONE	<input checked="" type="checkbox"/> 5/16" Ø	<input type="checkbox"/> 3/8" Ø	<input type="checkbox"/> 1/2" Ø
SCB- SIDEWALL CABLE BRACING	<input checked="" type="checkbox"/> NONE	<input type="checkbox"/> 5/16" Ø	<input type="checkbox"/> 3/8" Ø	<input type="checkbox"/> 1/2" Ø
ECB- ENDWALL CABLE BRACING	<input type="checkbox"/> NONE	<input checked="" type="checkbox"/> 5/16" Ø	<input type="checkbox"/> 3/8" Ø	<input type="checkbox"/> 1/2" Ø

NOMENCLATURE

- BA-10 - BASE SHEETING ANGLE; 2" x 4" x 16 GA., GALV.
- PBA-10 - PURLIN BRIDGING ANGLE; 1" x 1" x 16 GA., GALV.
- SA-10 - SHEETING ANGLE; 2-7/16" x 5-11/16" x 16 GA., GALV.
- FB- - FLANGE BRACE; 1-1/2" x 1-1/2" x 1/8" ANGLE
- FB- -X - FLANGE BRACE; 2-1/2" x 2-1/2" x 3/16" ANGLE

WEDGCOR INC.
 Buyer: MUELLER CONSTRUCTION Drawn By: WDA
 Cust.: ST. STEPHEN LUTHERAN 8-16-99
 Descr.: 60X45X12 1.00 :12 Check By: _____
 Site: FALLBROOK, CA
 Scale: NONE
 P.O.: W22581 SHEET NO. 69 OF 9